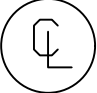



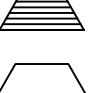
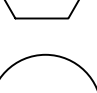






ABBREVIATIONS
AND SYMBOLS

- D.L.O. -- DAYLITE OPENING
- D.O. -- DOOR OPENING
- F.S. -- FRAME SIZE
- M.H. -- MULLION HEIGHT
- M.O. -- MASONRY OPENING
- N.B.T.F.-- NOT BY THURMAN FONDREN
- REF. -- REFERENCE
- R.D. -- REFERENCE DIMENSION
- R.O. -- ROUGH OPENING
- F.A. -- FIELD APPLY
- F.D. -- FIELD DRILL
- S.P. -- SHOP PREP
- S.A. -- SHOP APPLY
- F.E.E. -- FROM EACH END
- A.F.F. -- ABOVE FINISH FLOOR
- W.P. -- WORK POINT
- B.O.S. -- BOTTOM OF STEEL
- T.O.S. -- TOP OF STEEL
- STL. -- STEEL
- ALUM. -- ALUMINUM
- MULL. -- MULLION
- P.P. -- PRESSURE PLATE
- HORIZ. -- HORIZONTAL
- VERT. -- VERTICAL
- N.T.S. -- NOT TO SCALE
- N/A -- NOT APPLICABLE
- G.C. -- GENERAL CONTRACTOR
- ARCH. -- ARCHITECT
- H.P. -- HIGH POINT
- L.P. -- LOW POINT

-  -- CENTER LINE
-  -- WINDLOAD ANCHOR
-  -- DEADLOAD ANCHOR
-  -- WORKPOINT
-  -- HORIZ. JOINT LOCATION
-  -- GLASS TYPE
-  -- DETAIL NUMBER
-  -- SHEET NUMBER
-  INDICATES ITEMS TO BE VERIFIED BY CUSTOMER.
-  -- ANCHOR POINT

ROBERT WILSON ELEMENTRY SCHOOL

3925 FORT WORTH STREET

CORPUS CHRISTI, TEXAS 78411

REV	BY	DATE	DESCRIPTION
2	FP	01/20/17	FIELD VERIFIED DETAILS AND CHANGED DRAWINGS
2	FP	01/05/17	CORRECT THE LETTERING TO ELEVATIONS AND FIX DETAILS
1	FP	12/23/16	CHANGE PROJECT FROM WET TO DRY GLAZE
1	FP	12/07/16	ADD FASTENER DETAILS

MANUAL COMP

GENERAL NOTES

1. PERFORMANCE STANDARDS:
 - A. STRUCTURAL DESIGN IS BASED ON THE FOLLOWING LOADING CONDITIONS.
CORNER ZONE: _____
 - B. FRAMING MEMBER DEFLECTION IS LIMITED TO $L/175$ OR $3/4"$ MAX. OR L-240 $+1/4"$ FOR SPANS GREATER THAN 13'-6" INCHES NORMAL TO THE PLANE OF THE GLASS. ALL HORIZONTAL MEMBERS CARRYING GLASS TO BE LIMITED TO A MAXIMUM DEFLECTION OF _____ INCHES IN THE PLANE OF THE GLASS.
 - C. THE MAIN STRUCTURE MUST BE CAPABLE OF WITHSTANDING THE LOADS IMPOSED BY THE GLAZING SYSTEMS ACTING IN CONJUNCTION WITH THE LOADS SPECIFIED IN THE PARAGRAPH ABOVE. IN ADDITION, THE STRUCTURE MUST PROVIDE SUITABLE ANCHORAGE FOR THESE SYSTEMS AND MUST BE ERRECTED WITHIN SPECIFIED BUILDING TOLERANCES.
2. MATERIALS:
 - A. ALUMINUM EXTRUSIONS SHALL CONFORM TO ASTM B22167 TYPE 6063T5 OR T6 AS PRODUCED BY MANUFACTURER
 - B. FINISHES-- ALL UNEXPOSED ALUMINUM TO BE MILL FINISH. EXPOSED ALUMINUM TO BE AS LISTED:
FRAMING: CLEAR CLASS I ANODIZED
 - C. SEALANTS-- ASSEMBLY OR INTERNAL SYSTEM SEALANTS AND MASTICS USED FOR THE PURPOSE OF THESE INSTRUCTIONS ARE DEFINED AS FOLLOWS.

SEALANTS: A SKINNING, NON-HARDENING MATERIAL. (SILICONES, POLYSULFIDES, POLYURETHANES, AND POLUMERCAPTONS) FEDERAL SPECIFICATIONS: TT-5-00227E, TT-5-001543A, TT-S-00230C (BUTYLS FS-TTS-001657)

- MASTICS: A NON-SKINNING, NON-HARDENING MATERIAL. (NAAMM REFERENCE STANDARD 5C-1.1)
- D. STEEL CLIPS AND ANCHORS--SHALL BE HOT ROLLED STEEL A-36 ALLOY WITH ONE COAT OF SHOP APPLIED PRIMER.
 - E. FASTENERS-- ALL FASTENERS SHALL BE ZINC OR CADMIUM PLATED OR NON-MAGNETIC STAINLESS STEEL. FASTENING PRODUCT TO SUBSTRATE SHALL BE DONE IN ACCORDANCE WITH THE T.D.I. REPORTS DATED 10/16/14 AND STAMPED BY WALTER A. TILLIT Jr, P.E.:
FG-5100I - REPORT #14-076 (SEE SHEETS FT1-FT2)
MSD 375/WSD 500 - REPORT #14-075 (SEE SHEETS FT3-FT4)
RELIANCE CURTAIN - REPORT #14-080 (SEE SHEETS FT5-FT7)
- THESE SHEETS OF REPORT INCLUDED FOR EASE OF REFERENCE FOR COMPLIANCE WITH T.D.I. REQUIREMENTS.

DRAWING INDEX	
COVER SHEETS	C1
FASTENER DETAILS	FT1 THRU FT7
KEYPLAN	P1 THRU P9
ELEVATION SHEETS	E1 THRU E7
DETAIL SHEETS	D1 THRU D12

EXCLUSIONS

- THE FOLLOWING ITEMS ARE NOT SUPPLIED BY THURMAN FONDREN UNLESS STATED OTHERWISE.
- A. CONCRETE INSERTS OR IMBEDS
 - B. BRACING OR REINFORCING UNLESS SPECIFICALLY NOTED IN QUOTATION OR SUBMISSION DRAWINGS.
 - C. WOOD BLOCKING
 - D. SHIMS
 - E. INSULATION
 - F. FIRE PROOFING MATERIALS
 - G. PROTECTIVE COATINGS (BACK PTG.)

NOTES:

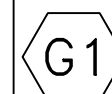
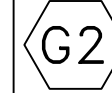

ALL DOOR HARDWARE IS BY OTHERS

NOTE HARDWARE ON IMPACT DOORS MUST BE CHOSEN FROM WHAT WAS TESTED BY OLDCASTLE

SYSTEM(S) USED

- 1.) OLDCASTLE FG5100T IMPACT STOREFRONT
- 2.) OLDCASTLE STORM-MAX RELIANCE C.W.
- 3.) OLDCASTLE WSD-500 WIDE STILE DR
- 4.) OLDCASTLE FG2000 STOREFRONT

GLASS LEGEND

-  1 5/16" O/A CLEAR INSULATED
1/4" SB 70XL AZURIA LOW "E" #2 TEMP
1/2" SPACER
9/16" LAMI GLASS CL H.S. WITH .090 INTERLAYER
-  1/4" O/A CLEAR TEMPERED
-  9/16" O/A CLEAR INSULATED
1/4" SB 70XL AZURIA #2 TEMP
1/4" CLEAR H.S. GLASS WITH .060 INTERLAYER

THURMAN FONDREN GLASS Co. INC.
6933 WEBER RD
CORPUS CHRISTI, TX 78413
361-854-2316

ROBERT WILSON ELEMENTRY
3925 Fort Worth St
Corpus Christi, TX

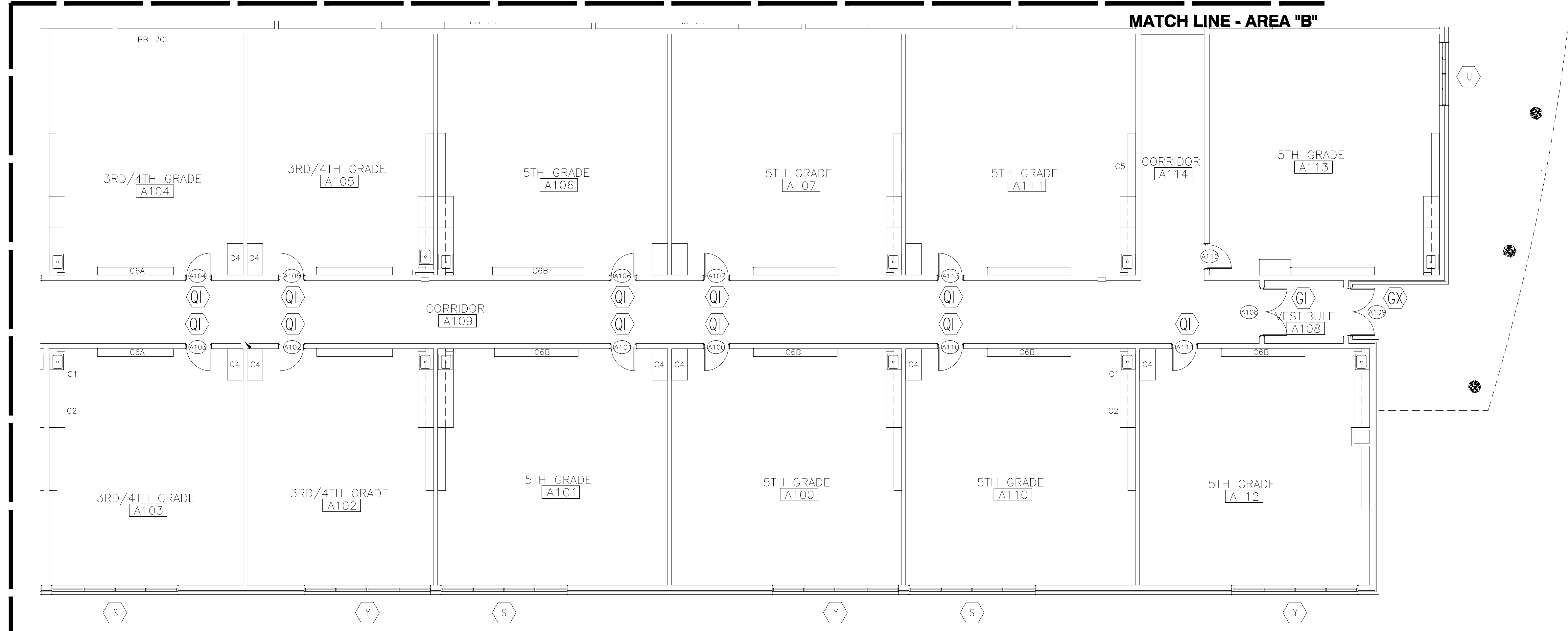
PROJECT NO. **TF-002**

DRAWN	DATE
WRD	7/24/15

SCALE
1/2" = 1'-0"

DRAWING NO.

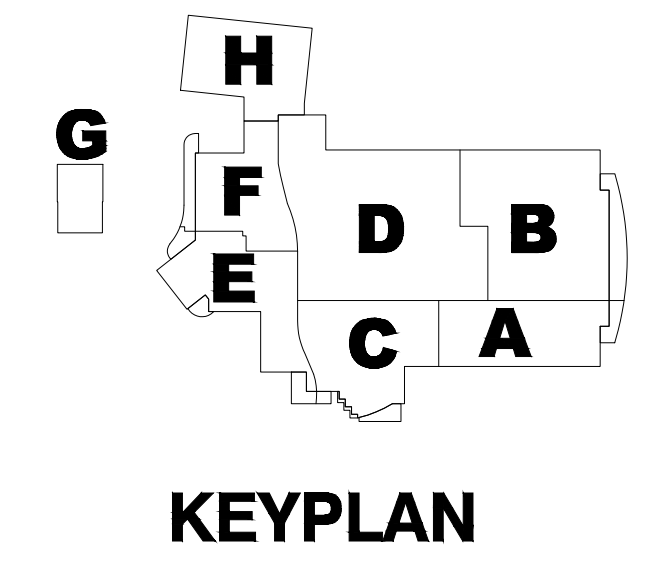
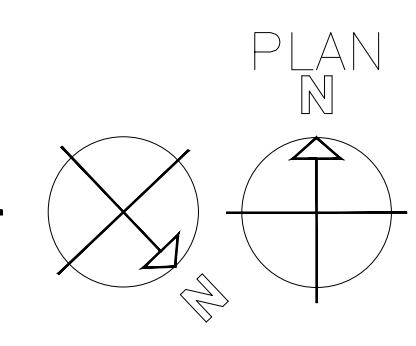
SHEET
C1



MATCH LINE - AREA "C"

MATCH LINE - AREA "B"

1 FLOORPLAN - AREA "A"
1/8" = 1'-0"
ARCH A1.1-W



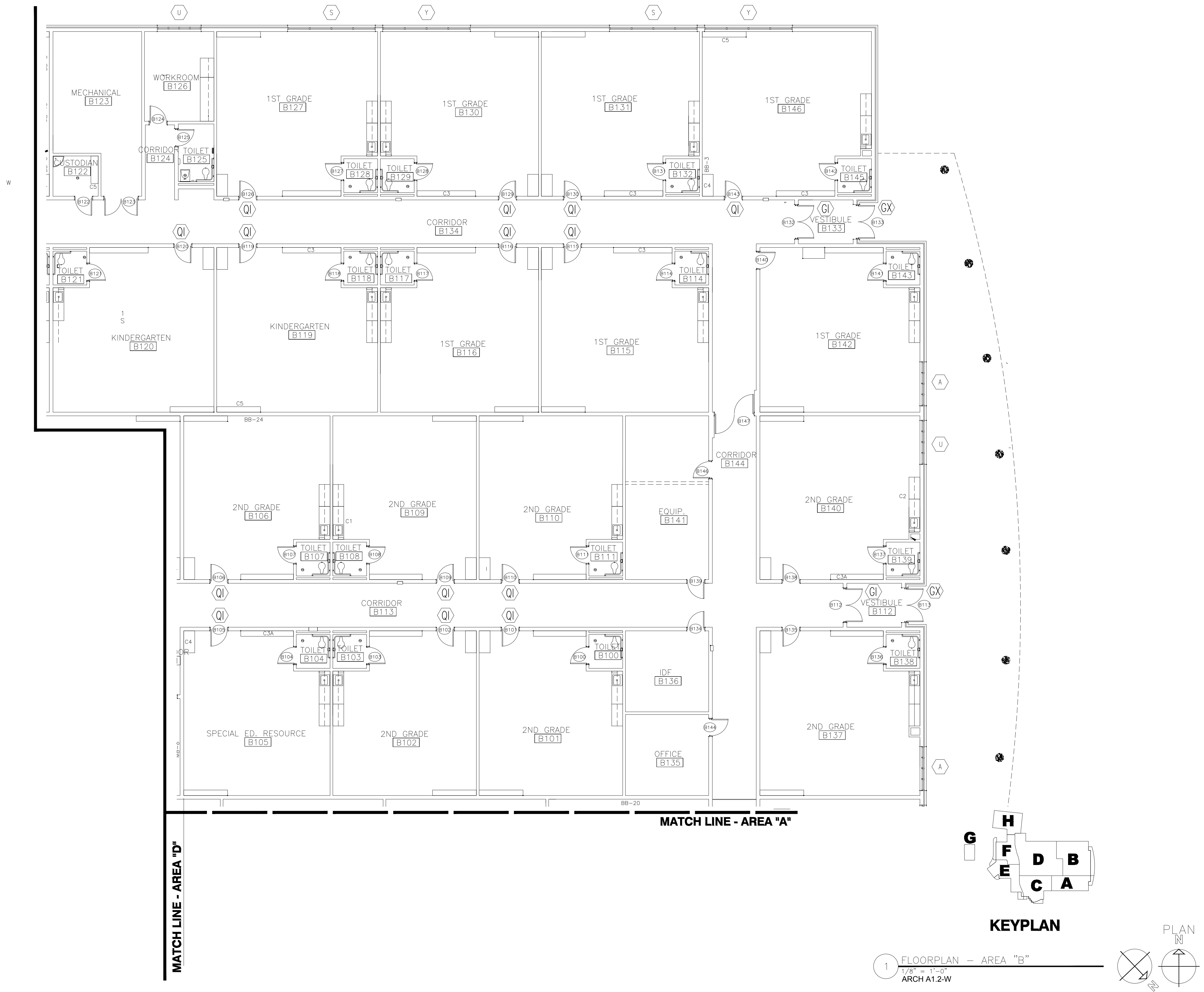
REV	BY	DATE	DESCRIPTION
2	FP	01/20/17	FIELD VERIFIED DETAILS AND CHANGED DRAWINGS
2	FP	01/05/17	CORRECT THE LETTERING TO ELEVATIONS AND FIX DETAILS
1	FP	12/23/16	CHANGE PROJECT FROM WET TO DRY GLAZE
1	FP	12/07/16	ADD FASTENER DETAILS

MANUAL COMP

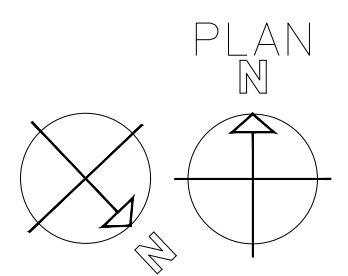
THURMAN FONDREN GLASS Co. INC
6933 WEBER RD
CORPUS CHRISTI, TX 78413
361-854-2316

ROBERT WILSON ELEMENTRY
3925 Fort Worth St
Corpus Christi, TX

PROJECT	PRDJECT NO.
	TF-002
DRAWN	DATE
WRD	7/24/15
SCALE	1/2" = 1'-0"
DRAWING NO.	
SHEET	P1



1 FLOORPLAN - AREA "B"
 1/8" = 1'-0"
 ARCH A1.2-W

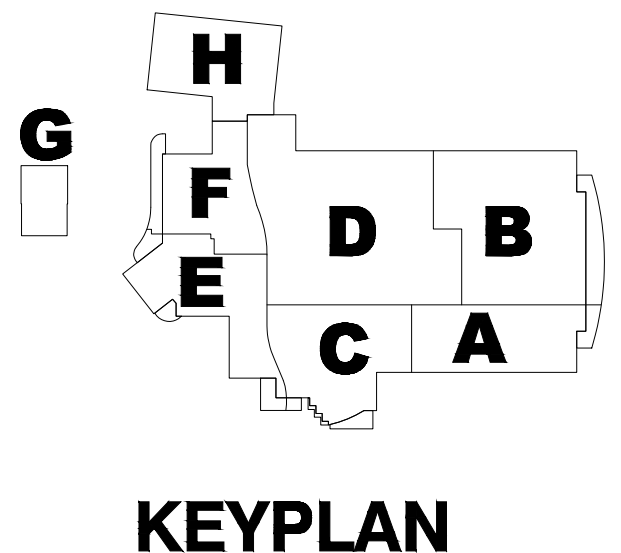
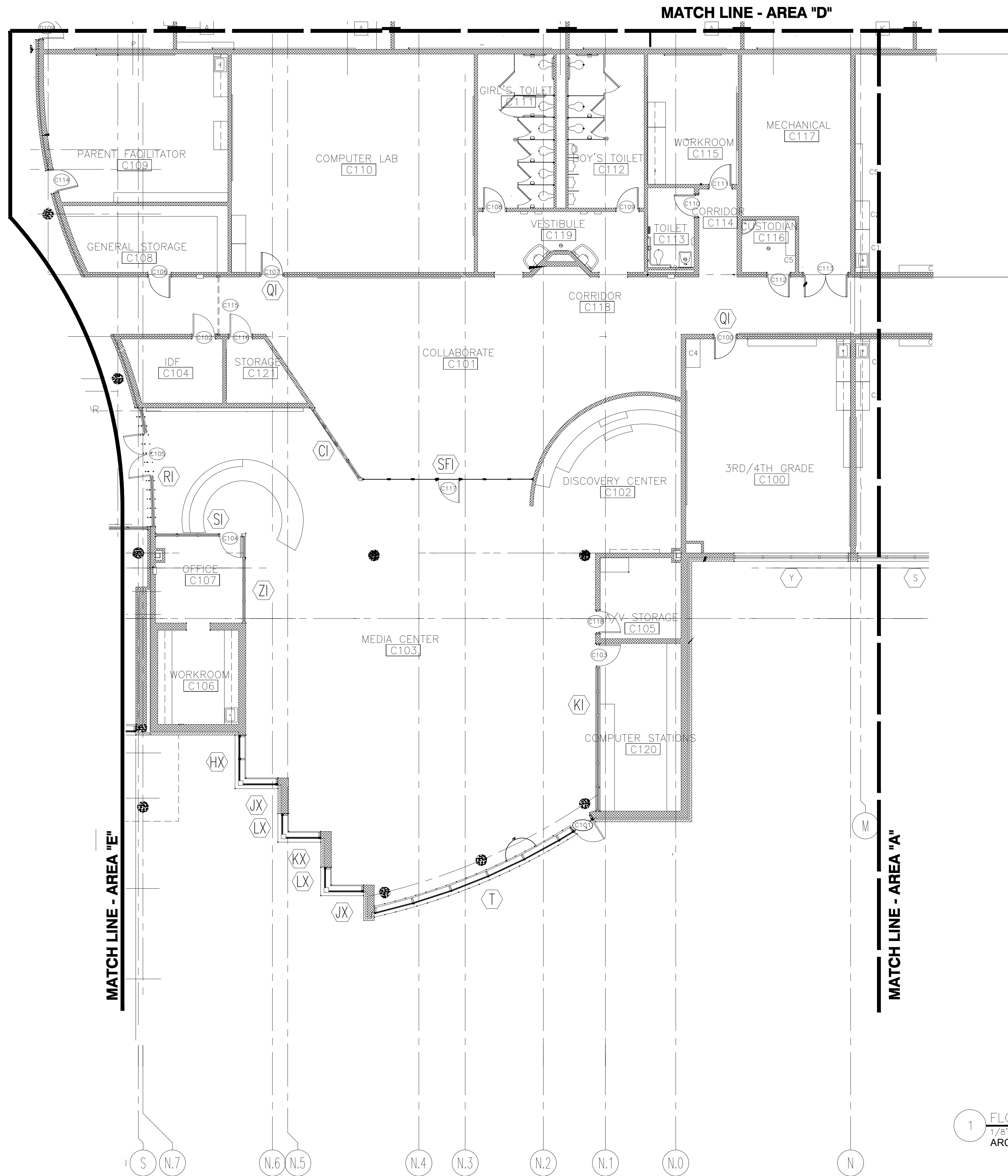


REV	BY	DATE	DESCRIPTION
2	Fp	01/20/17	FIELD VERIFIED DETAILS AND CHANGED DRAWINGS
2	Fp	01/05/17	CORRECT THE LETTERING TO ELEVATIONS AND FIX DETAILS
1	Fp	12/23/16	CHANGE PROJECT FROM WET TO DRY GLAZE
1	Fp	12/07/16	ADD FASTENER DETAILS

THURMAN FONDREN GLASS Co. INC.
 6933 WEBER RD
 CORPUS CHRISTI, TX 78413
 361-854-2316

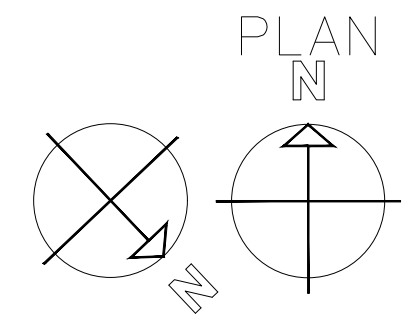
ROBERT WILSON ELEMNTARY
 3925 Fort Worth St
 Corpus Christi, TX

PROJECT	TF-002
PROJECT NO.	TF-002
DRAWN	WRD
DATE	7/24/15
SCALE	1/2" = 1'-0"
DRAWING NO.	
SHEET	P2

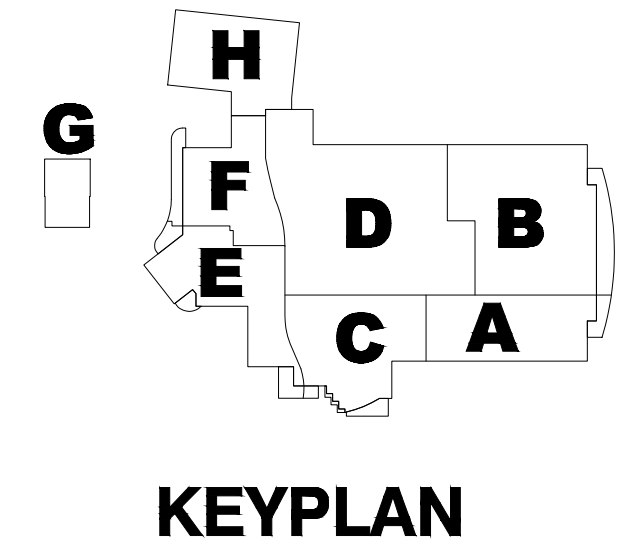
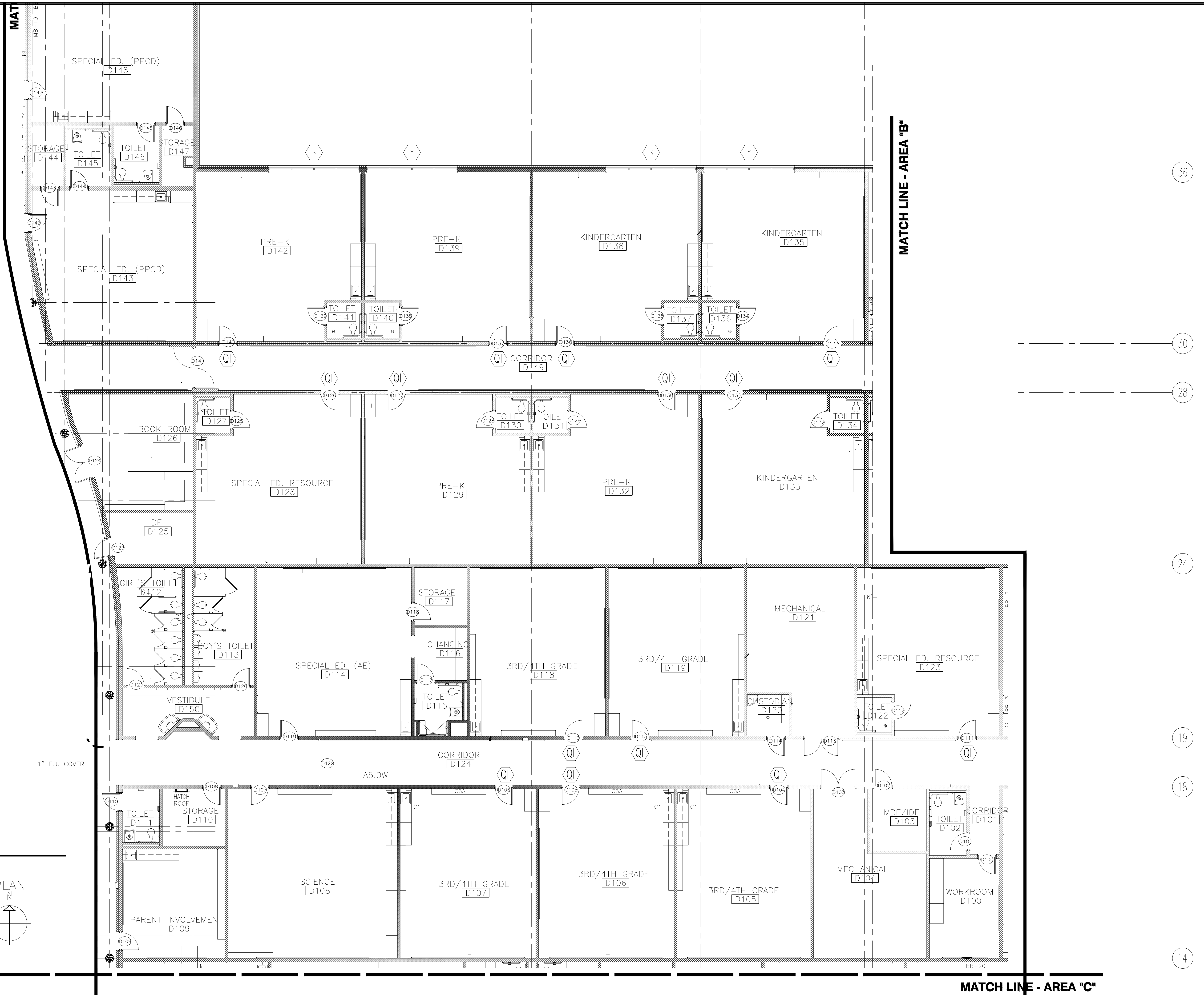


KEYPLAN

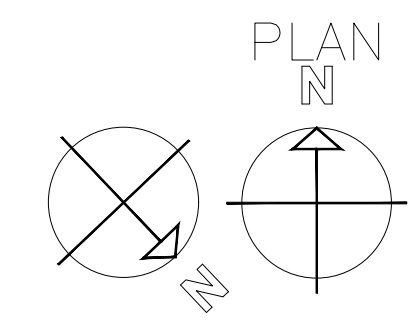
1 FLOORPLAN - AREA "C"
 1/8" = 1'-0"
 ARCH A1.3-W



PROJECT		THURMAN FONDREN GLASS Co. INC.	
PROJECT NO.		6933 WEBER RD	
DRAWN		CORPUS CHRISTI, TX 78413	
WRD		361-854-2316	
SCALE		1/2" = 1'-0"	
DRAWING NO.		MANUAL COMP	
SHEET		P3	
REV	BY	DATE	DESCRIPTION
2	FP	01/20/17	FIELD VERIFIED DETAILS AND CHANGED DRAWINGS
2	FP	01/05/17	CORRECT THE LETTERING TO ELEVATIONS AND FIX DETAILS
1	FP	12/23/16	CHANGE PROJECT FROM WET TO DRY GLAZE
1	FP	12/07/16	ADD FASTENER DETAILS



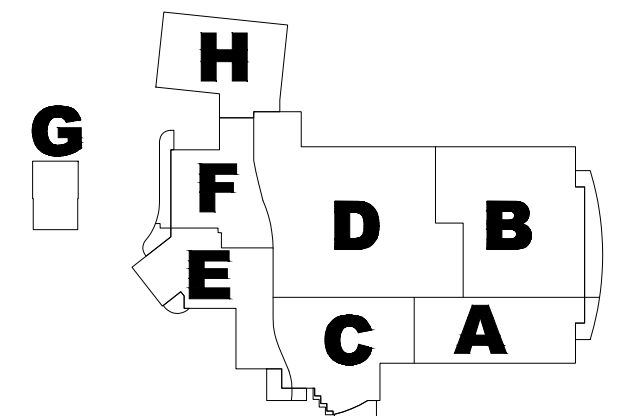
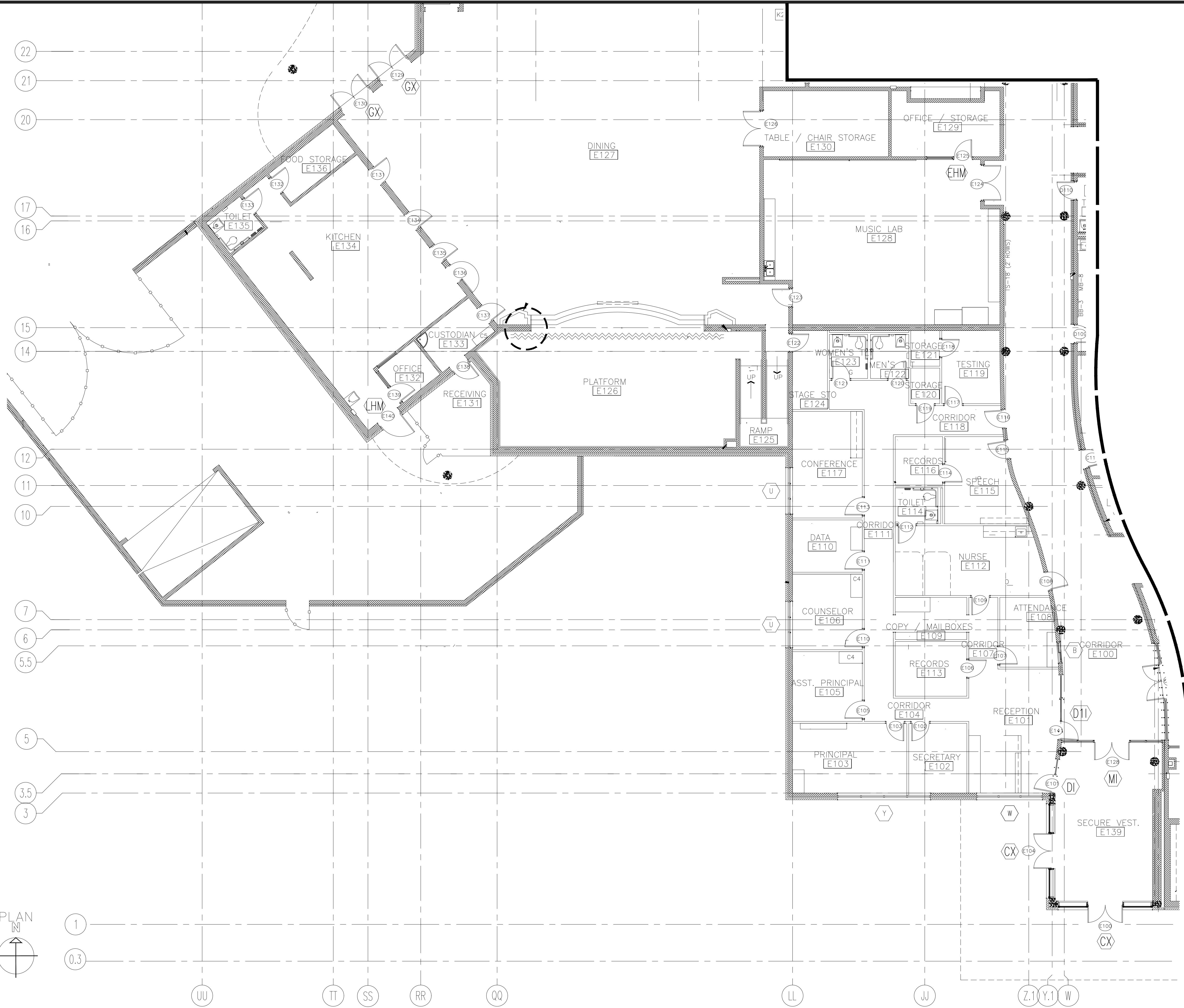
1 FLOOR PLAN - AREA "D"
 1/8" = 1'-0"
 ARCH A1.4-W



THURMAN FONDREN GLASS Co. INC. 6933 WEBER RD CORPUS CHRISTI, TX 78413 361-854-2316	
ROBERT WILSON ELEMENTRY 3925 Fort Worth St Corpus Christi, TX	
PROJECT	TF-002
DRAWN	DATE
WRD	7/24/15
SCALE	1/2" = 1'-0"
DRAWING NO.	
SHEET	P4

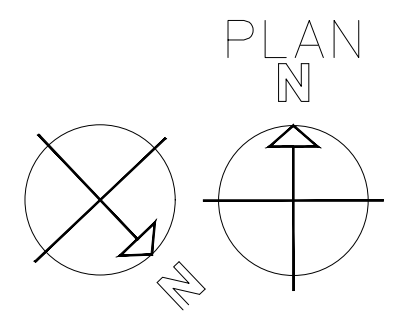
REV	BY	DATE	DESCRIPTION
2	FP	01/20/17	FIELD VERIFIED DETAILS AND CHANGED DRAWINGS
2	FP	01/05/17	CORRECT THE LETTERING TO ELEVATIONS AND FIX DETAILS
1	FP	12/23/16	CHANGE PROJECT FROM WET TO DRY GLAZE
1	FP	12/07/16	ADD FASTENER DETAILS

MANUAL COMP



KEYPLAN

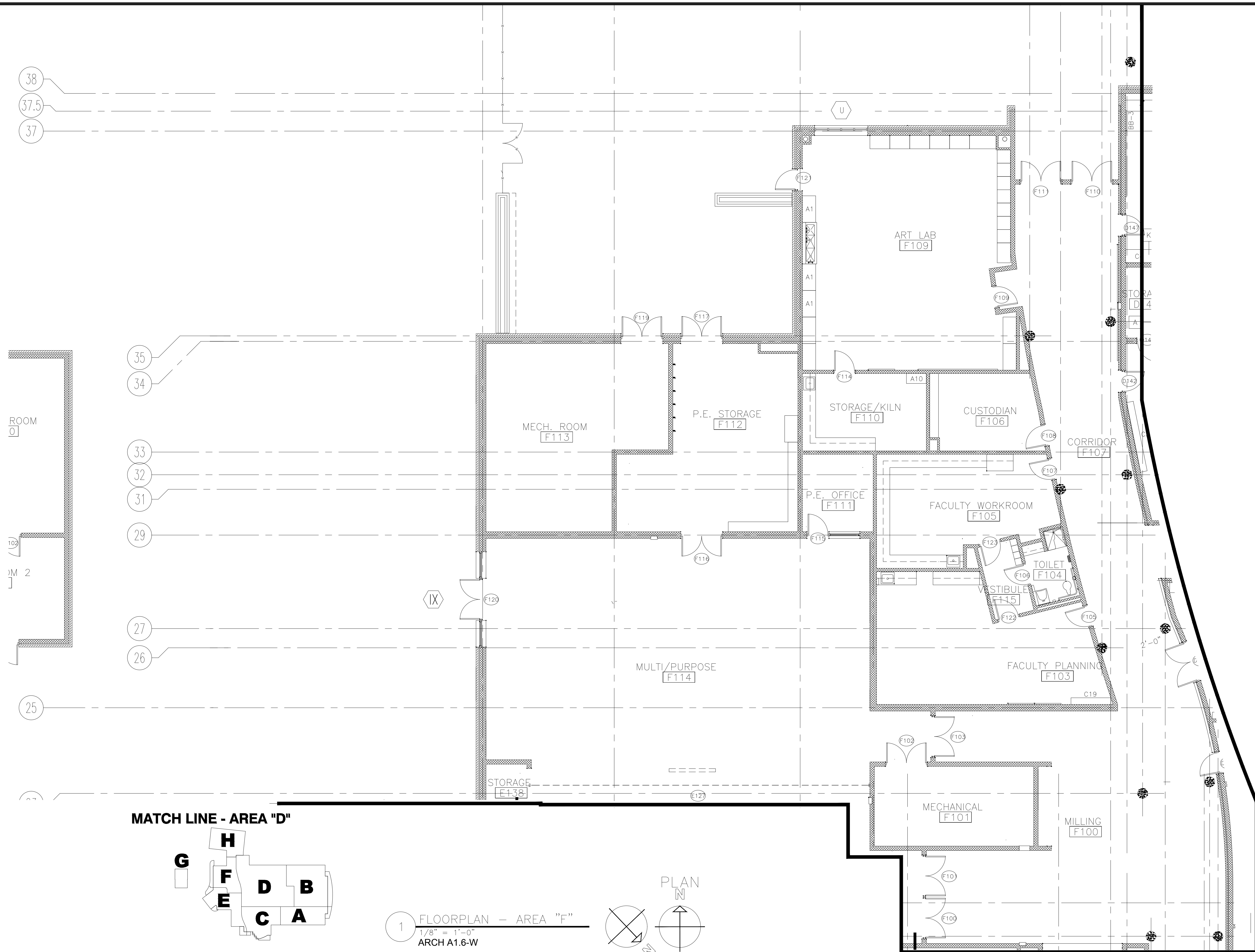
1 FLOOR PLAN - AREA "C"
 1/8" = 1'-0"
 ARCH A1.5-W



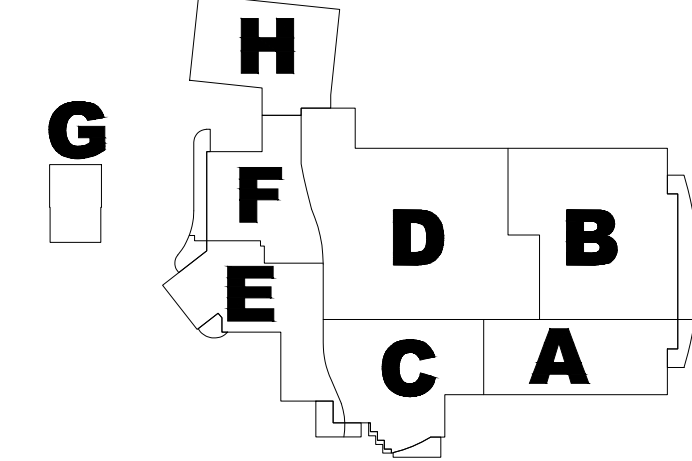
1
 0.3

PROJECT		THURMAN FONDREN GLASS Co. INC.	
PROJECT NO.		6933 WEBER RD	
DRAWN		CORPUS CHRISTI, TX 78413	
DATE		361-854-2316	
SCALE			
DRAWING NO.			
SHEET		P5	
PROJECT		ROBERT WILSON ELEMENTRY	
PROJECT NO.		3925 Fort Worth St	
DRAWN		Corpus Christi, TX	
DATE			
SCALE			
DRAWING NO.			
SHEET		P5	
REV	BY	DATE	DESCRIPTION
2	FP	01/20/17	FIELD VERIFIED DETAILS AND CHANGED DRAWINGS
2	FP	01/05/17	CORRECT THE LETTERING TO ELEVATIONS AND FIX DETAILS
1	FP	12/23/16	CHANGE PROJECT FROM WET TO DRY GLAZE
1	FP	12/07/16	ADD FASTENER DETAILS
MANUAL COMP			

MATCH LINE - AREA "C"

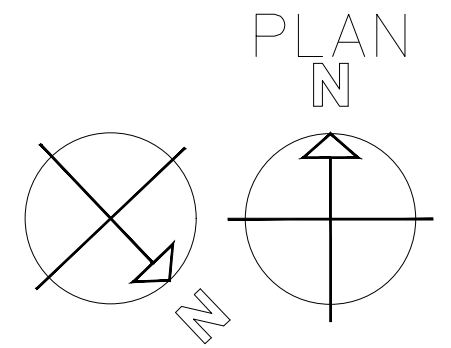


MATCH LINE - AREA "D"



KEYPLAN

1 FLOORPLAN - AREA "F"
1/8" = 1'-0"
ARCH A1.6-W



MATCH LINE - AREA "C"

REV	BY	DATE	DESCRIPTION
2	fp	01/20/17	FIELD VERIFIED DETAILS AND CHANGED DRAWINGS
2	fp	01/05/17	CORRECT THE LETTERING TO ELEVATIONS AND FIX DETAILS
1	fp	12/23/16	CHANGE PROJECT FROM WET TO DRY GLAZE
1	fp	12/07/16	ADD FASTENER DETAILS

MANUAL COMP

THURMAN FONDREN GLASS Co. INC
6933 WEBER RD
CORPUS CHRISTI, TX 78413
361-854-2316

PROJECT
PROJECT NO. TF-002

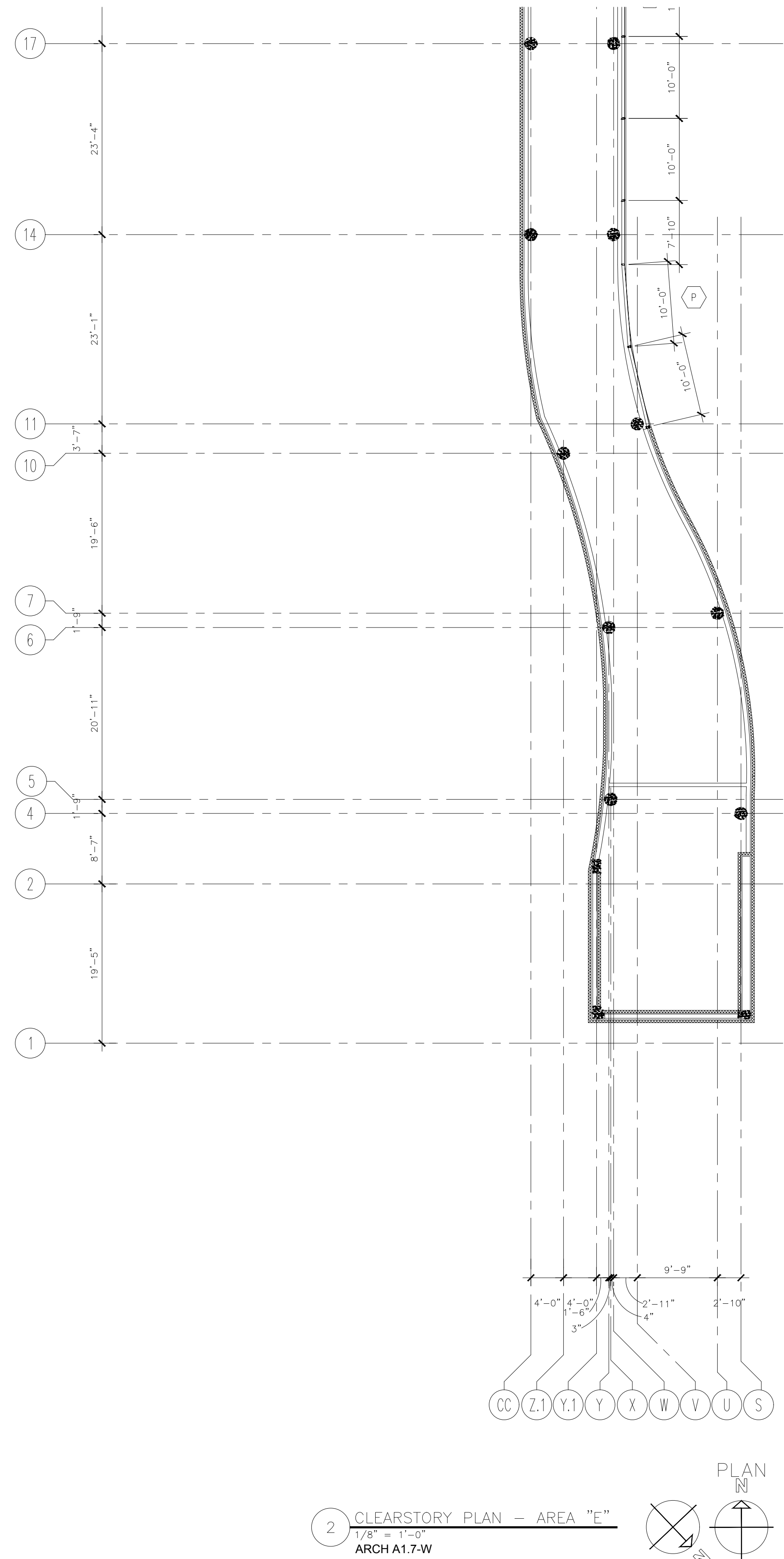
ROBERT WILSON ELEMENTRY
3925 Fort Worth St
Corpus Christi, TX

DRAWN WRD **DATE** 7/24/15

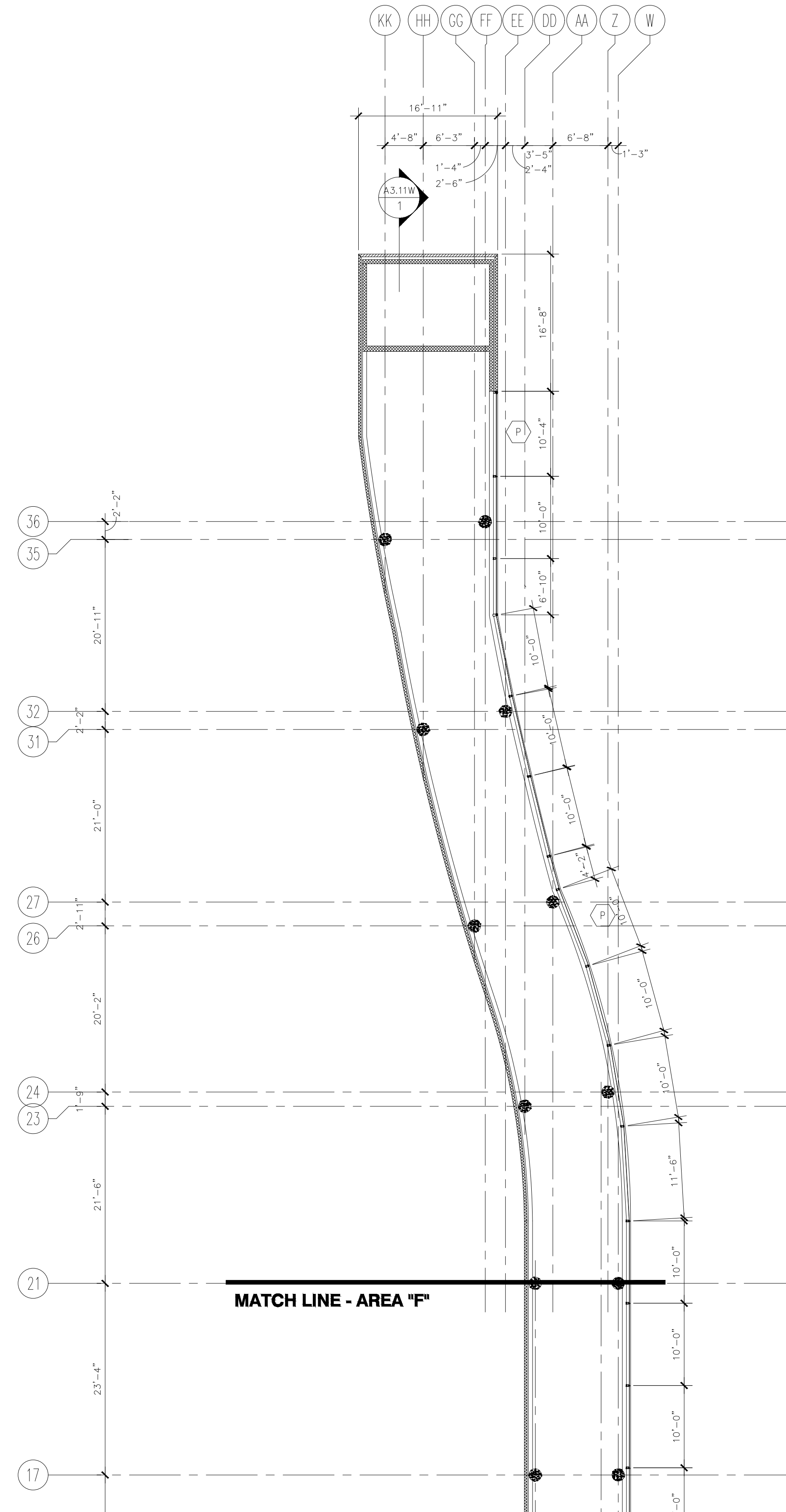
SCALE 1/2" = 1'-0"

DRAWING NO.

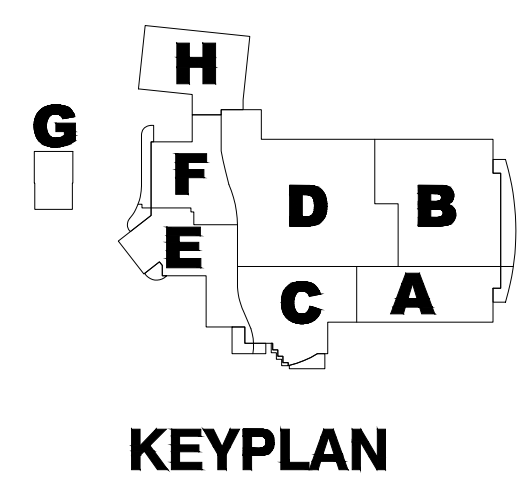
SHEET P6



2 CLEARSTORY PLAN - AREA "E"
 1/8" = 1'-0"
 ARCH A1.7-W

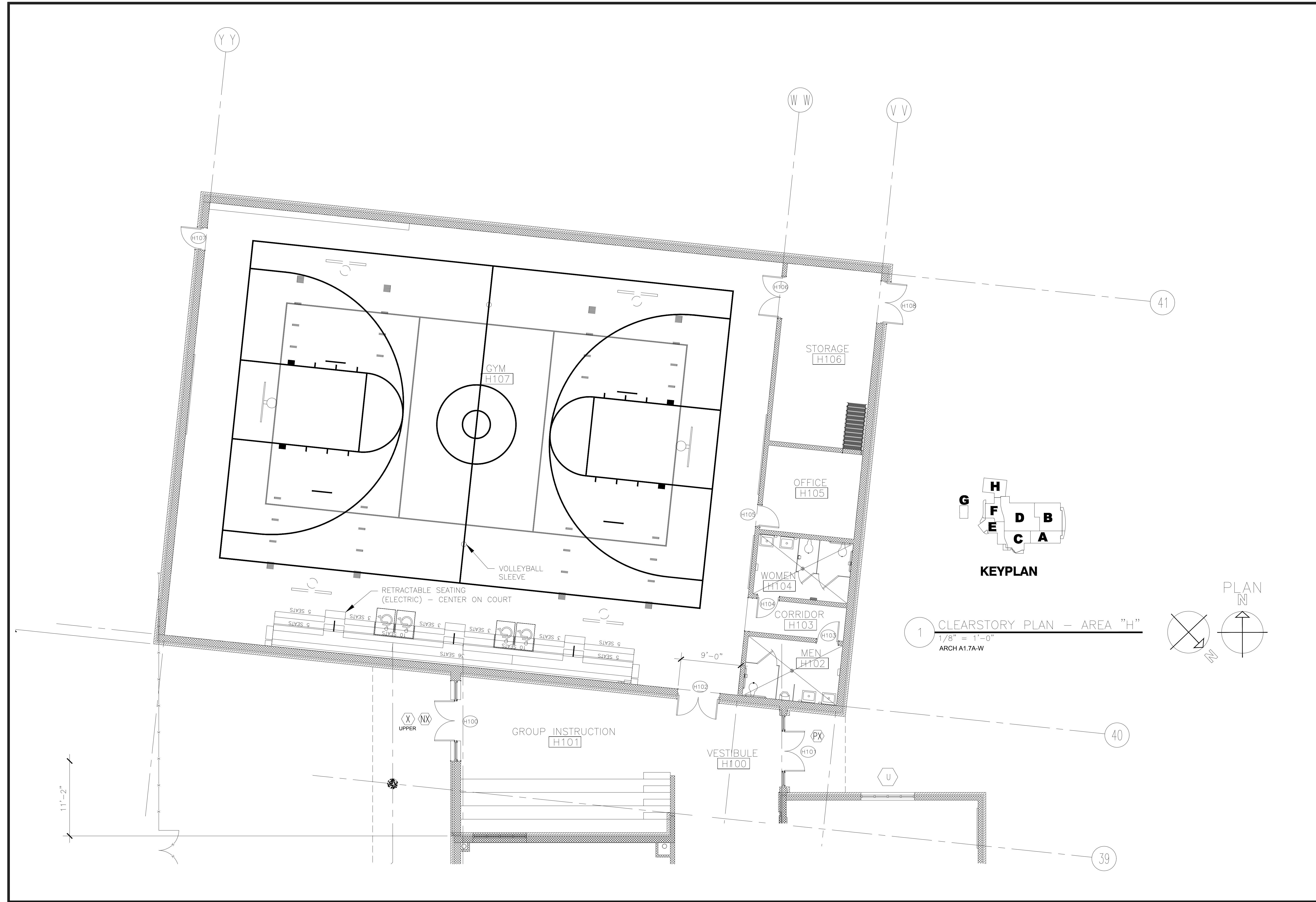


1 CLEARSTORY PLAN - AREA "F"
 1/8" = 1'-0"
 ARCH A1.7-W



KEYPLAN

PROJECT		THURMAN FONDREN GLASS Co. INC. 6933 WEBER RD CORPUS CHRISTI, TX 78413 361-854-2316	
PROJECT NO.		TF-002	
DRAWN	DATE	7/24/15	
WRD	SCALE	1/2" = 1'-0"	
DRAWING NO.			
SHEET		P7	
REV	BY	DATE	DESCRIPTION
2	FP	01/20/17	FIELD VERIFIED DETAILS AND CHANGED DRAWINGS
2	FP	01/05/17	CORRECT THE LETTERING TO ELEVATIONS AND FIX DETAILS
1	FP	12/23/16	CHANGE PROJECT FROM WET TO DRY GLAZE
1	FP	12/07/16	ADD FASTENER DETAILS
MANUAL COMP			



REV	BY	DATE	DESCRIPTION
2	FP	01/20/17	FIELD VERIFIED DETAILS AND CHANGED DRAWINGS
2	FP	01/05/17	CORRECT THE LETTERING TO ELEVATIONS AND FIX DETAILS
1	FP	12/23/16	CHANGE PROJECT FROM WET TO DRY GLAZE
1	FP	12/07/16	ADD FASTENER DETAILS

MANUAL COMP

THURMAN FONDREN GLASS Co. INC.
 6933 WEBER RD
 CORPUS CHRISTI, TX 78413
 361-854-2316

PROJECT
ROBERT WILSON ELEMENTRY
 3925 Fort Worth St
 Corpus Christi, TX

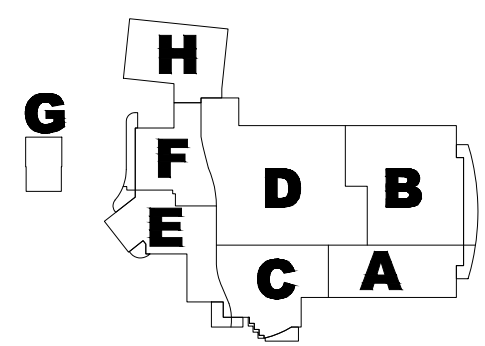
PROJECT NO.
TF-002

DRAWN DATE
 WRD 7/24/15

SCALE
 1/2" = 1'-0"

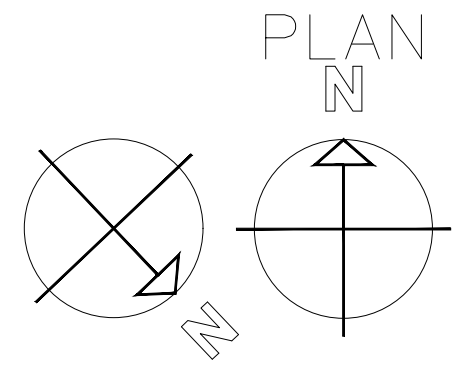
DRAWING NO.

SHEET
P8



KEYPLAN

1 CLEARSTORY PLAN - AREA "H" - ALTERNATE #1
 1/8" = 1'-0"
 ARCH A1.7-W



PROJECT		THURMAN FONDREN GLASS Co. INC.	
PROJECT NO.		6933 WEBER RD	
DRAWN		CORPUS CHRISTI, TX 78413	
WRD		361-854-2316	
SCALE		1/2" = 1'-0"	
DRAWING NO.		ROBERT WILSON ELEMENTRY	
SHEET		3925 Fort Worth St	
		Corpus Christi, TX	
REV	BY	DATE	DESCRIPTION
2	FP	01/20/17	FIELD VERIFIED DETAILS AND CHANGED DRAWINGS
2	FP	01/05/17	CORRECT THE LETTERING TO ELEVATIONS AND FIX DETAILS
1	FP	12/23/16	CHANGE PROJECT FROM WET TO DRY GLAZE
1	FP	12/07/16	ADD FASTENER DETAILS
MANUAL COMP			

FASTENER NOTES:

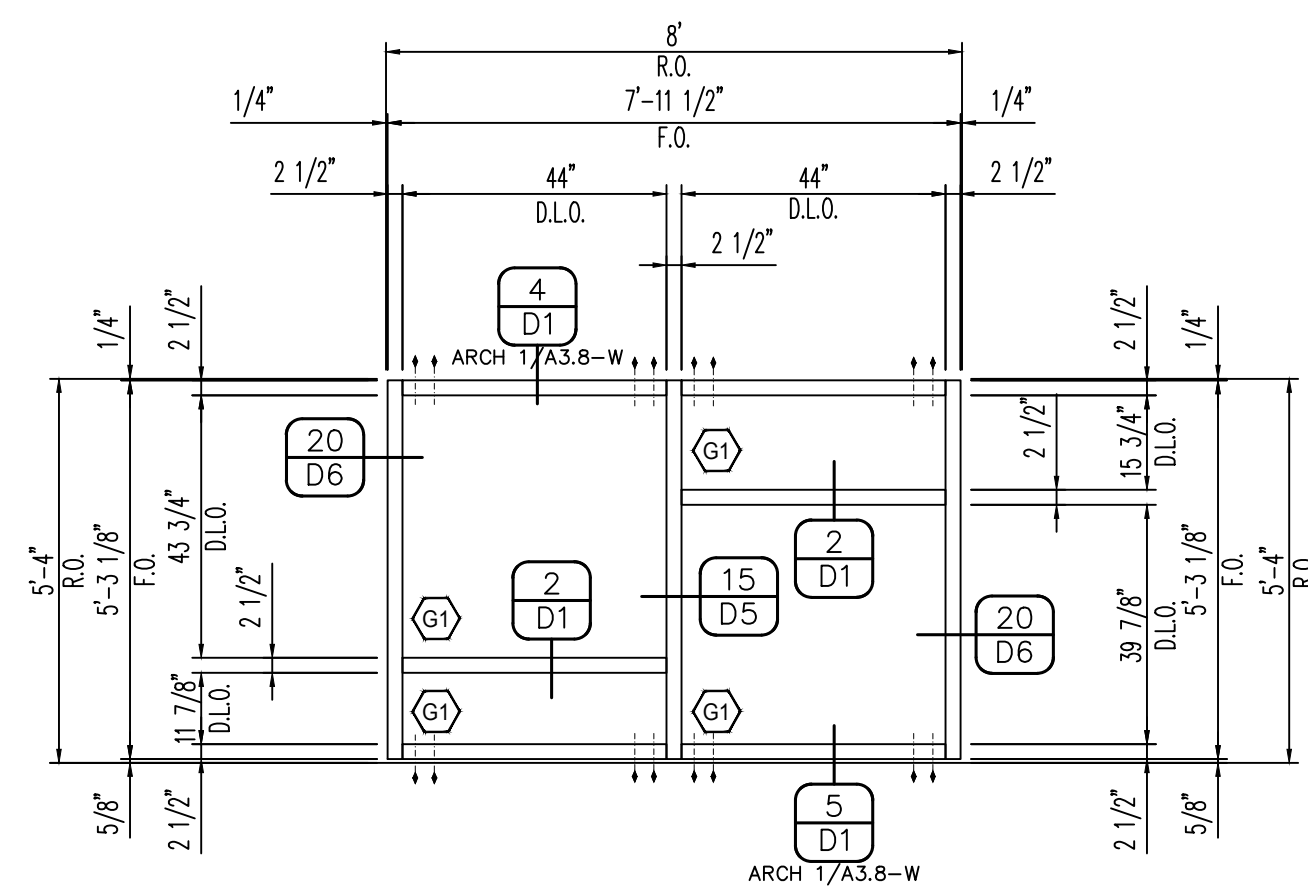
FASTENING PRODUCT TO SUBSTRATE SHALL BE DONE ACCORDING TO THE T.D.I. REPORTS DATED 10/16/14 AND STAMPED BY WALTER A. TILLIT Jr, P.E.:

* FG-5100T - REPORT #14-076 (SEE SHEETS FT1 & FT2)

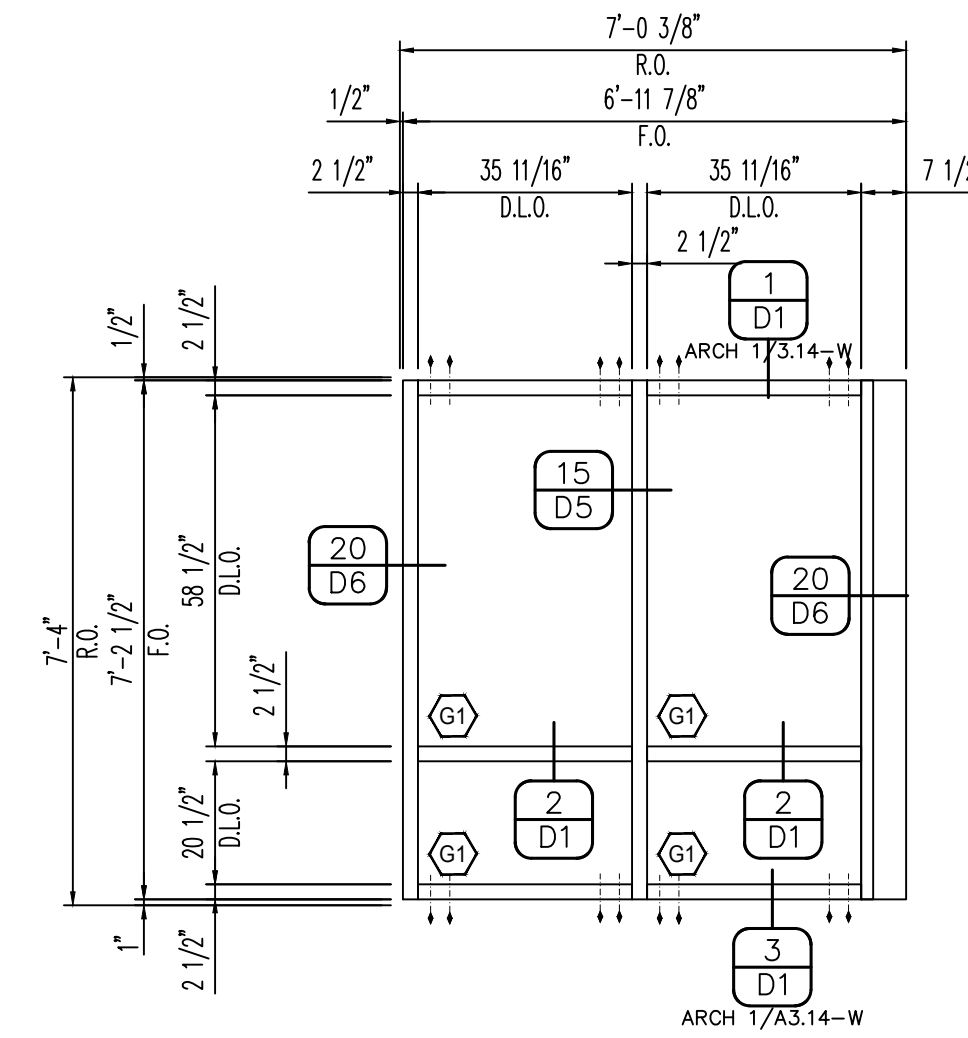
MSD 375/WSD 500 - REPORT #14-075 (SEE SHEETS FT3 & FT4)

RELIANCE CURTAIN - REPORT #14-080 (SEE SHEETS FT5 - FT7)

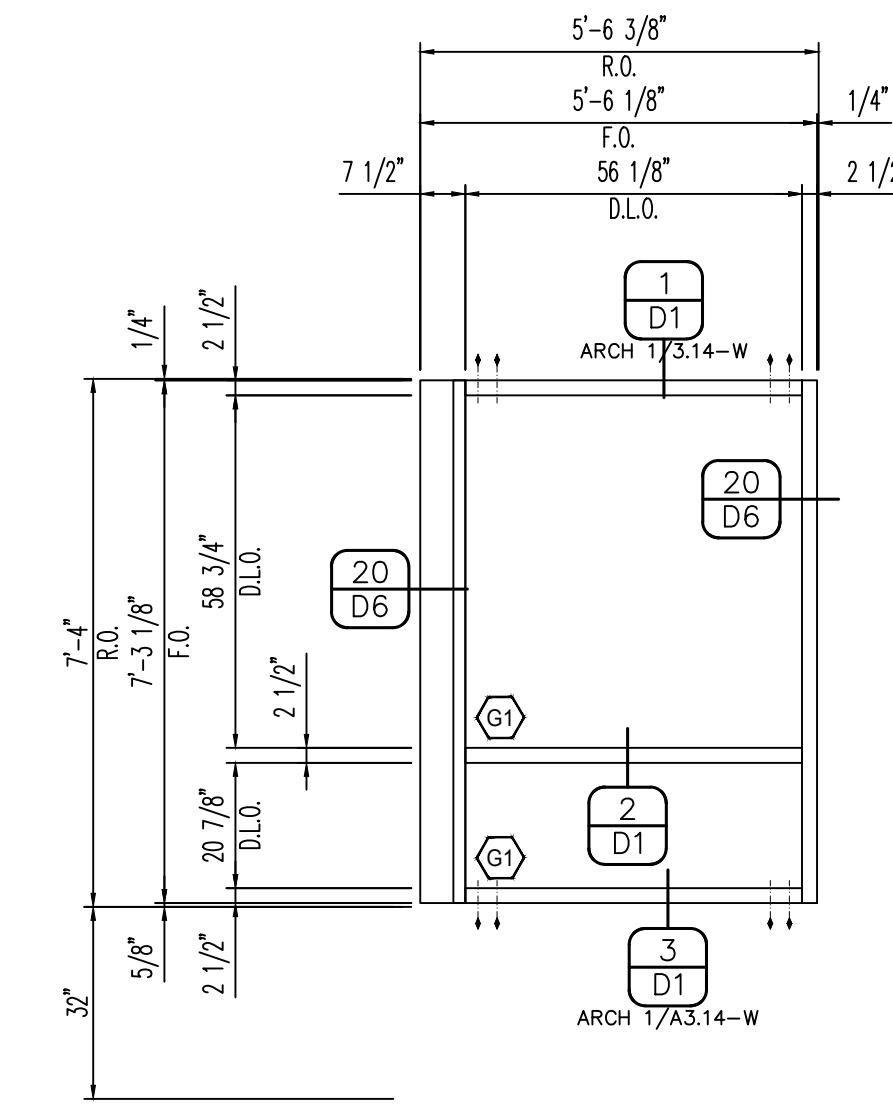
THE ENTIRE REPORTS WERE SUBMITTED THROUGH THE SUBMITTAL PROCESS.



ELEVATION A
 FINISHES:
 EXT: PER COVER SHEET
 INT: PER COVER SHEET
 SYSTEM(S): OLDCASTLE FG5100T
 QTY: 2
 ARCH. REF.: A1.2W

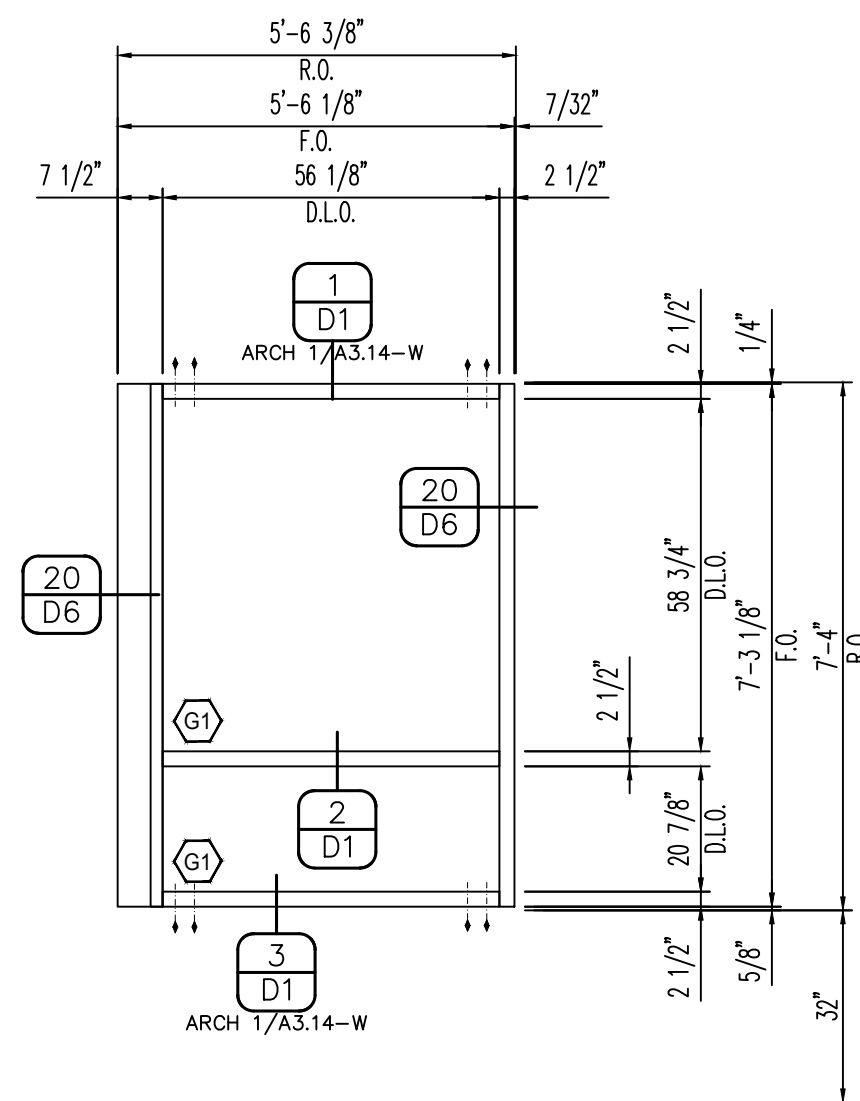


ELEVATION HX
 FINISHES:
 EXT: PER COVER SHEET
 INT: PER COVER SHEET
 SYSTEM(S): OLDCASTLE FG5100T
 QTY: 1
 ARCH. REF.: A1.10E

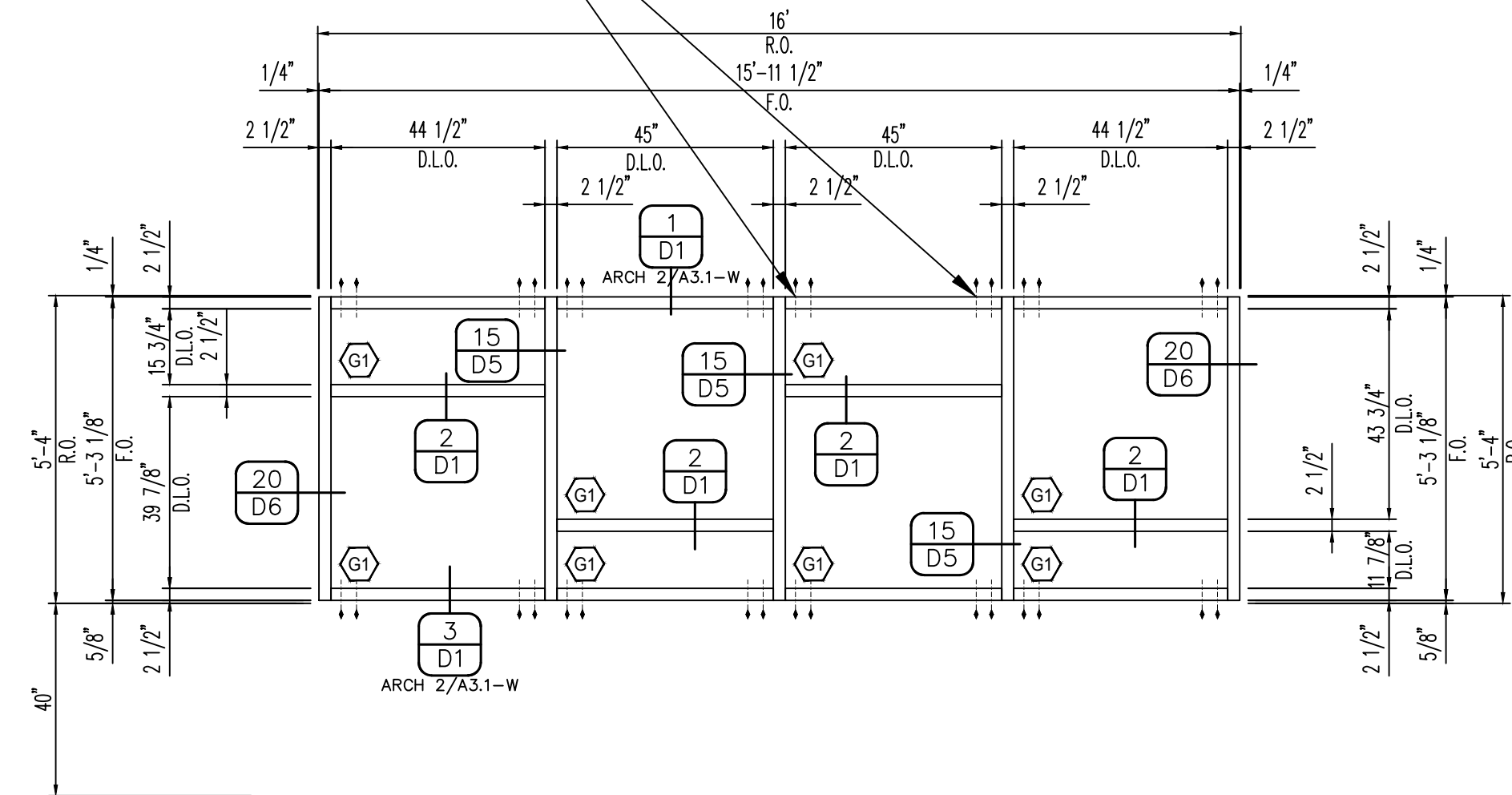


ELEVATION JX
 FINISHES:
 EXT: PER COVER SHEET
 INT: PER COVER SHEET
 SYSTEM(S): OLDCASTLE FG5100T
 QTY: 2
 ARCH. REF.: A1.10E

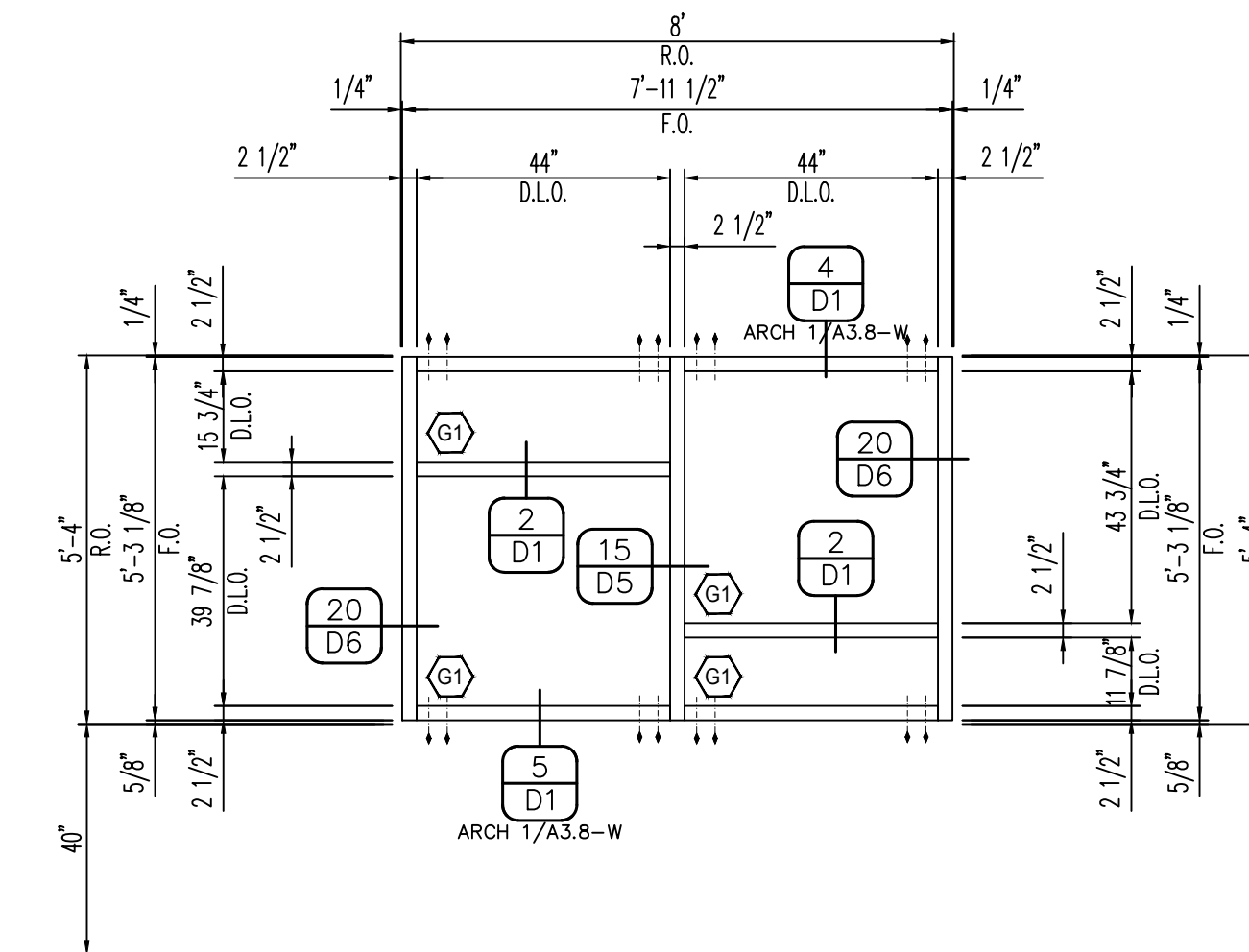
* FASTENER TYPES AND SPACING FOR FG-5100T SYSTEM CAN BE FOUND ON T.D.I. REPORT #14-076, AND SOME PAGES HAVE BEEN INCLUDED FOR EASE OF REFERENCE ON SHEETS FT1-FT2 OF THIS DOCUMENT



ELEVATION KX
 FINISHES:
 EXT: PER COVER SHEET
 INT: PER COVER SHEET
 SYSTEM(S): OLDCASTLE FG5100T
 QTY: 2
 ARCH. REF.: A1.10E



ELEVATION S
 FINISHES:
 EXT: PER COVER SHEET
 INT: PER COVER SHEET
 SYSTEM(S): OLDCASTLE FG5100T
 QTY: 5
 ARCH. REF.: A1.10E



ELEVATION U
 FINISHES:
 EXT: PER COVER SHEET
 INT: PER COVER SHEET
 SYSTEM(S): OLDCASTLE FG5100T
 QTY: 7
 ARCH. REF.: A1.10E

REV	BY	DATE	DESCRIPTION
2	FP	01/20/17	FIELD VERIFIED DETAILS AND CHANGED DRAWINGS
2	FP	01/05/17	CORRECT THE LETTERING TO ELEVATIONS AND FIX DETAILS
1	FP	12/23/16	CHANGE PROJECT FROM WET TO DRY GLAZE
1	FP	12/07/16	ADD FASTENER DETAILS

MANUAL COMP

THURMAN FONDREN GLASS Co. INC
 6933 WEBER RD
 CORPUS CHRISTI, TX 78413
 361-854-2316

ROBERT WILSON ELEMENTRY
 3925 Fort Worth St
 Corpus Christi, TX

PROJECT
TF-002

DRAWN
 WRD

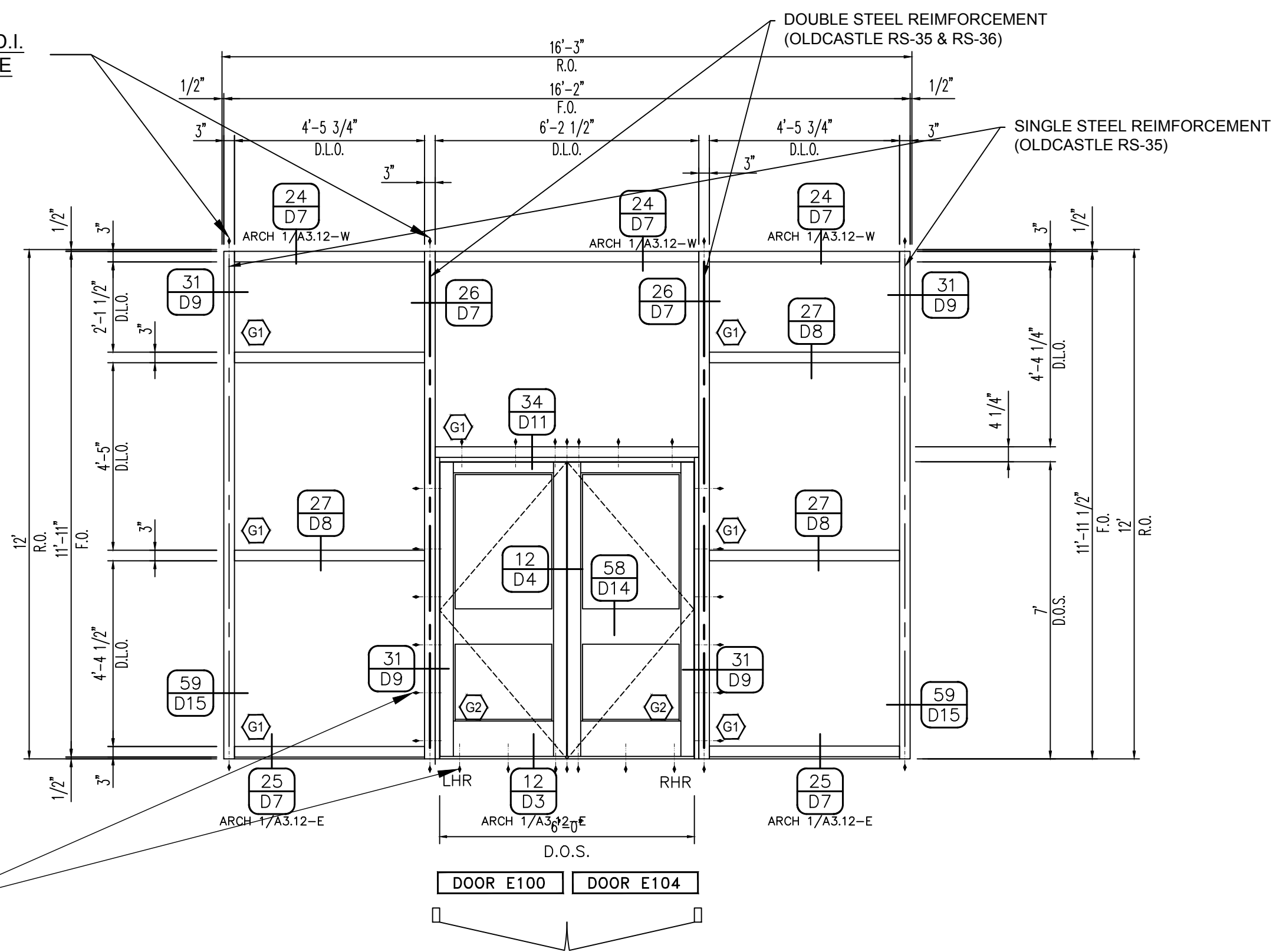
DATE
 7/24/15

SCALE
 1/2" = 1'-0"

DRAWING NO.

SHEET
E1

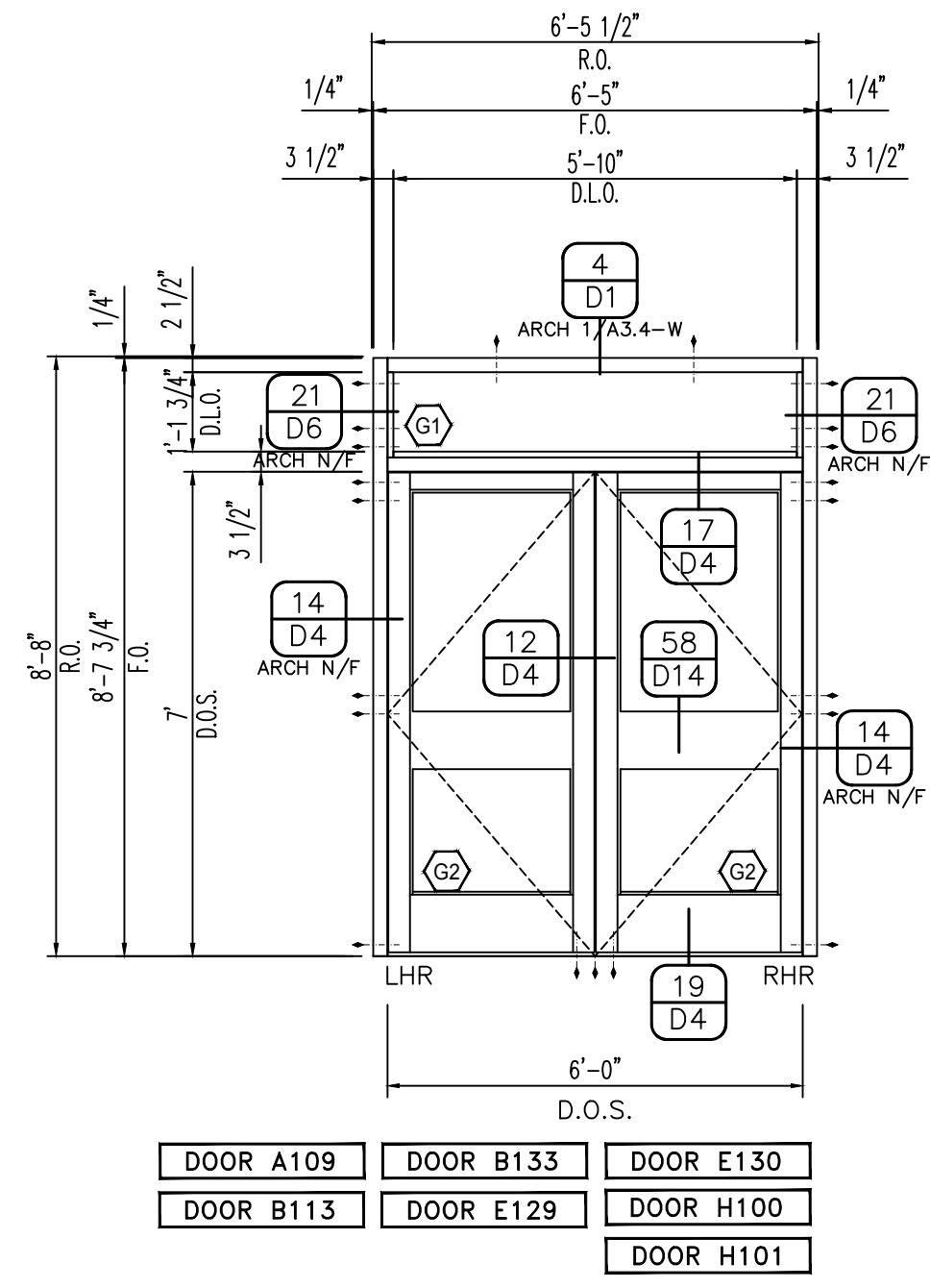
* FASTENER TYPES AND SPACING FOR THE RELIANCE HIGH-PERFORMANCE CURTAIN WALL SYSTEM CAN BE FOUND ON T.D.I. REPORT #14-080, AND SOME PAGES HAVE BEEN INCLUDED FOR EASE OF REFERENCE ON SHEETS FT5-FT7 OF THIS DOCUMENT



ELEVATION CX
SCALE: 3/8" = 1'-0"
QTY: 2
ARCH. REF.: A1.5W

FINISHES:
EXT: PER COVER SHEET
INT: PER COVER SHEET

SYSTEM(S):
OLDCASTLE 3"x10" RELIANCE STORM-MAX C.W. IMPACT
OLDCASTLE WSD-500 WIDE STILE DOORS



ELEVATION GX
SCALE: 3/8" = 1'-0"
QTY: 7
ARCH. REF.: A1.10E

FINISHES:
EXT: PER COVER SHEET
INT: PER COVER SHEET

SYSTEM(S):
OLDCASTLE FG5100T
OLDCASTLE WSD-500 WIDE STILE DOORS

FASTENER NOTES:

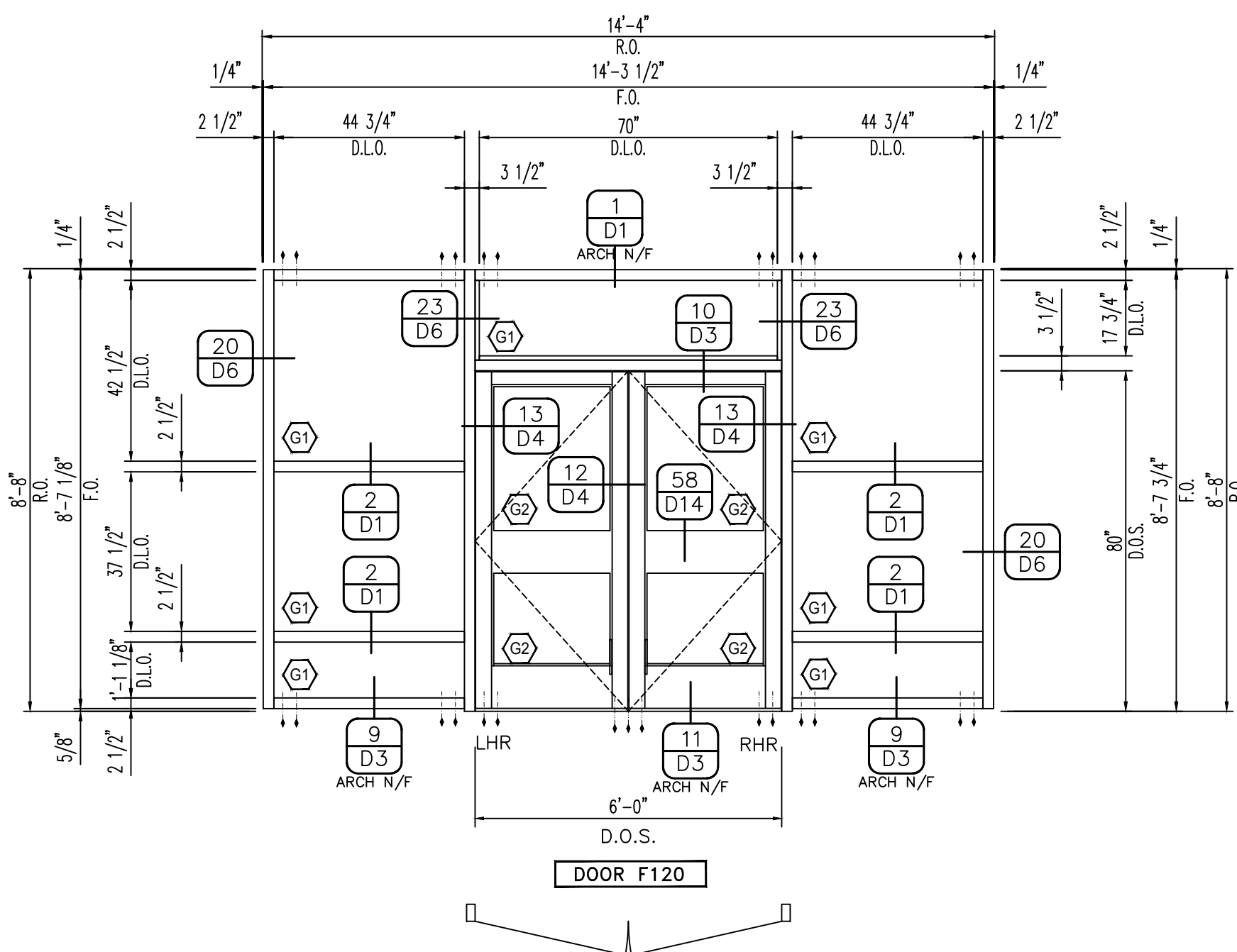
FASTENING PRODUCT TO SUBSTRATE SHALL BE DONE ACCORDING TO THE T.D.I. REPORTS DATED 10/16/14 AND STAMPED BY WALTER A. TILLIT Jr, P.E.:

- * FG-5100T - REPORT #14-076 (SEE SHEETS FT1 & FT2)
- * MSD 375/WSD 500 - REPORT #14-075 (SEE SHEETS FT3 & FT4)
- * RELIANCE CURTAIN - REPORT #14-080 (SEE SHEETS FT5 - FT7)

THE ENTIRE REPORTS WERE SUBMITTED THROUGH THE SUBMITTAL PROCESS.

* FASTENER TYPES AND SPACING FOR THE WSD-500 WIDE STILE DOOR SYSTEM CAN BE FOUND ON T.D.I. REPORT #14-075, AND SOME PAGES HAVE BEEN INCLUDED FOR EASE OF REFERENCE ON SHEETS FT2-FT3 OF THIS DOCUMENT

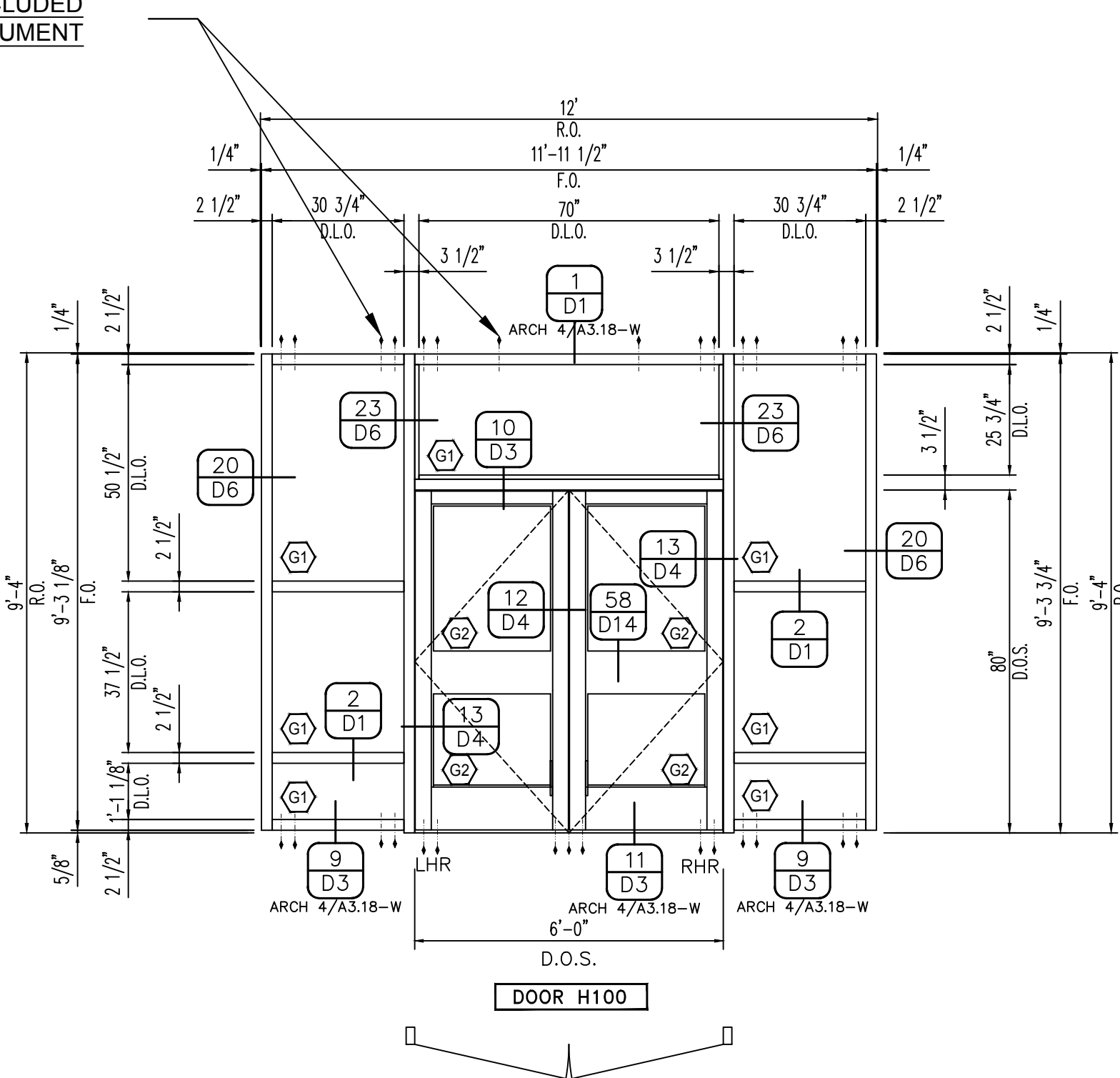
* FASTENER TYPES AND SPACING FOR FG-5100T SYSTEM CAN BE FOUND ON T.D.I. REPORT #14-076, AND SOME PAGES HAVE BEEN INCLUDED FOR EASE OF REFERENCE ON SHEETS FT1-FT2 OF THIS DOCUMENT



ELEVATION IX
SCALE: 3/8" = 1'-0"
QTY: 1
ARCH. REF.: A1.10E

FINISHES:
EXT: PER COVER SHEET
INT: PER COVER SHEET

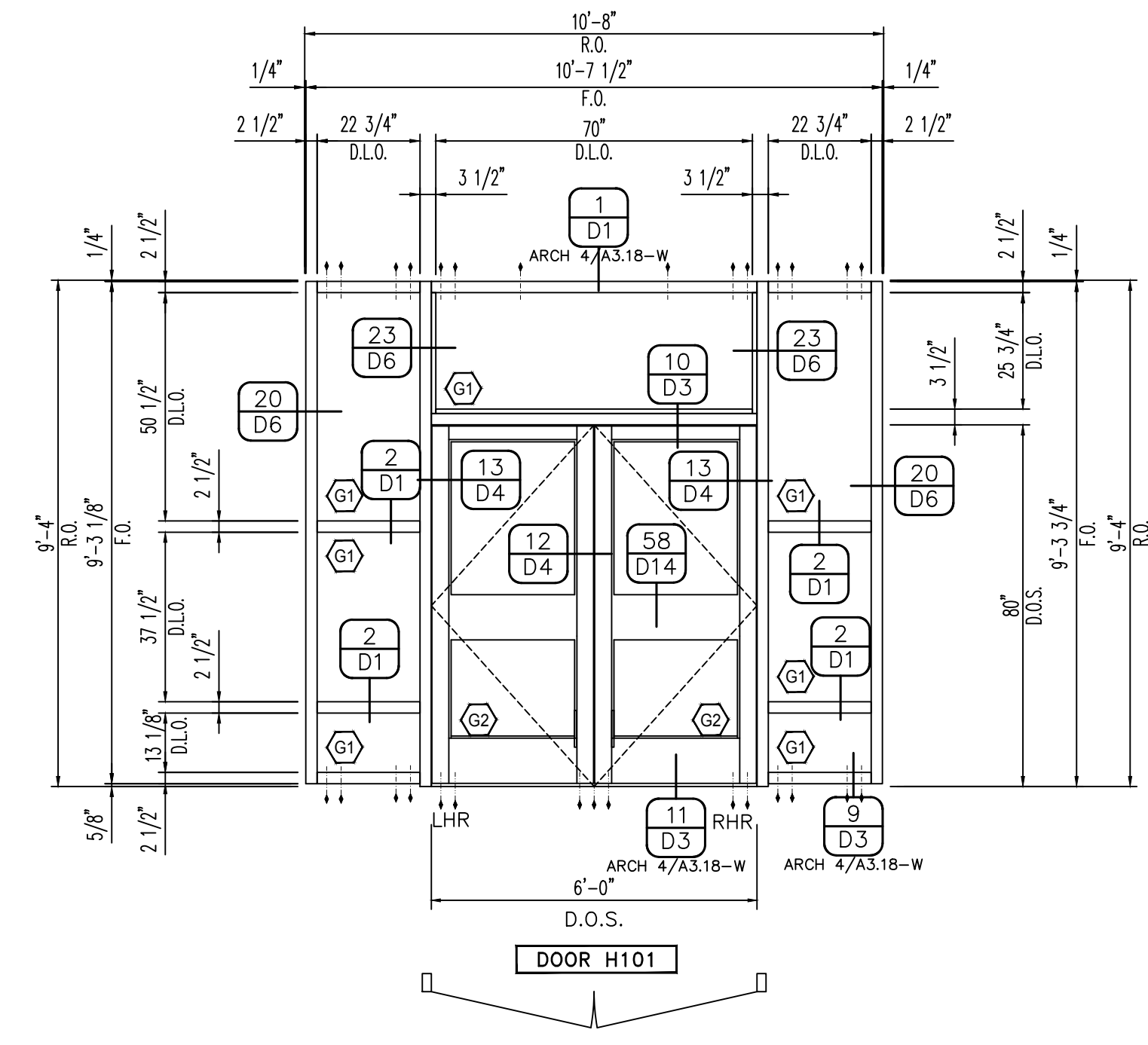
SYSTEM(S):
OLDCASTLE FG5100T
OLDCASTLE WSD-500 WIDE STILE DOORS



ELEVATION NX
SCALE: 3/8" = 1'-0"
QTY: 1
ARCH. REF.: A1.10E

FINISHES:
EXT: PER COVER SHEET
INT: PER COVER SHEET

SYSTEM(S):
OLDCASTLE FG5100T
OLDCASTLE WSD-500 WIDE STILE DOORS



ELEVATION PX
SCALE: 3/8" = 1'-0"
QTY: 1
ARCH. REF.: A1.10E

FINISHES:
EXT: PER COVER SHEET
INT: PER COVER SHEET

SYSTEM(S):
OLDCASTLE FG5100T
OLDCASTLE WSD-500 WIDE STILE DOORS

REV	BY	DATE	DESCRIPTION
1	FP	12/07/16	ADD FASTENER DETAILS
2	FP	01/05/17	CHANGE PROJECT FROM WET TO DRY GLAZE
2	FP	01/20/17	CORRECT THE LETTERING TO ELEVATIONS AND FIX DETAILS
2	FP	01/20/17	FIELD VERIFIED DETAILS AND CHANGED DRAWINGS

MANUAL COMP

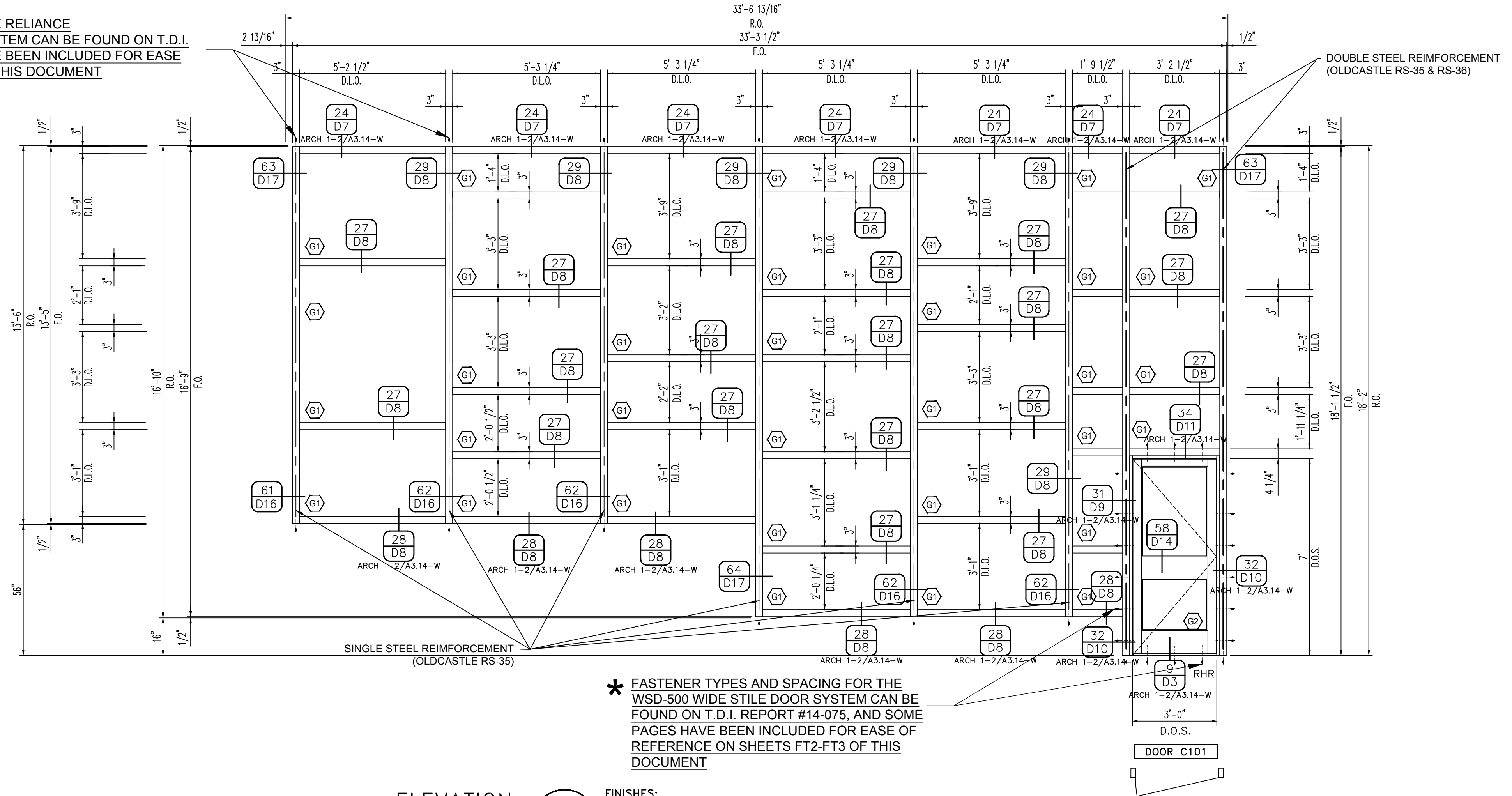
THURMAN FONDREN GLASS Co. INC
6933 WEBER RD
CORPUS CHRISTI, TX 78413
361-854-2316

PROJECT
ROBERT WILSON ELEMENTRY
3925 Fort Worth St
Corpus Christi, TX

PROJECT NO. TF-002
DRAWN WRD DATE 7/24/15
SCALE 1/2" = 1'-0"
DRAWING NO.

SHEET E2

* FASTENER TYPES AND SPACING FOR THE RELIANCE HIGH-PERFORMANCE CURTAIN WALL SYSTEM CAN BE FOUND ON T.D.I. REPORT #14-080, AND SOME PAGES HAVE BEEN INCLUDED FOR EASE OF REFERENCE ON SHEETS FT5-FT7 OF THIS DOCUMENT



* FASTENER TYPES AND SPACING FOR THE WSD-500 WIDE STILE DOOR SYSTEM CAN BE FOUND ON T.D.I. REPORT #14-075, AND SOME PAGES HAVE BEEN INCLUDED FOR EASE OF REFERENCE ON SHEETS FT2-FT3 OF THIS DOCUMENT

FASTENER NOTES:

FASTENING PRODUCT TO SUBSTRATE SHALL BE DONE ACCORDING TO THE T.D.I. REPORTS DATED 10/16/14 AND STAMPED BY WALTER A. TILLIT Jr, P.E.:

FG-5100T - REPORT #14-076 (SEE SHEETS FT1 & FT2)

* MSD 375/WSD 500 - REPORT #14-075 (SEE SHEETS FT3 & FT4)

* RELIANCE CURTAIN - REPORT #14-080 (SEE SHEETS FT5 - FT7)

THE ENTIRE REPORTS WERE SUBMITTED THROUGH THE SUBMITTAL PROCESS.

ELEVATION

SCALE: 3/8" = 1'-0"
QTY: 1
ARCH. REF.: A1.10E



FINISHES:
EXT: PER COVER SHEET
INT: PER COVER SHEET

SYSTEM(S): OLDCASTLE 3"x10" RELIANCE STORM-MAX C.W. IMPACT
OLDCASTLE WSD-500 WIDE STILE DOOR

REV	BY	DATE	DESCRIPTION
1	Fp	12/23/16	CHANGE PROJECT FROM WET TO DRY GLAZE
2	Fp	01/20/17	FIELD VERIFIED DETAILS AND CHANGED DRAWINGS
2	Fp	01/05/17	CORRECT THE LETTERING TO ELEVATIONS AND FIX DETAILS
1	Fp	12/07/16	ADD FASTENER DETAILS

MANUAL COMP

THURMAN FONDREN GLASS Co. INC
6933 WEBER RD
CORPUS CHRISTI, TX 78413
361-854-2316

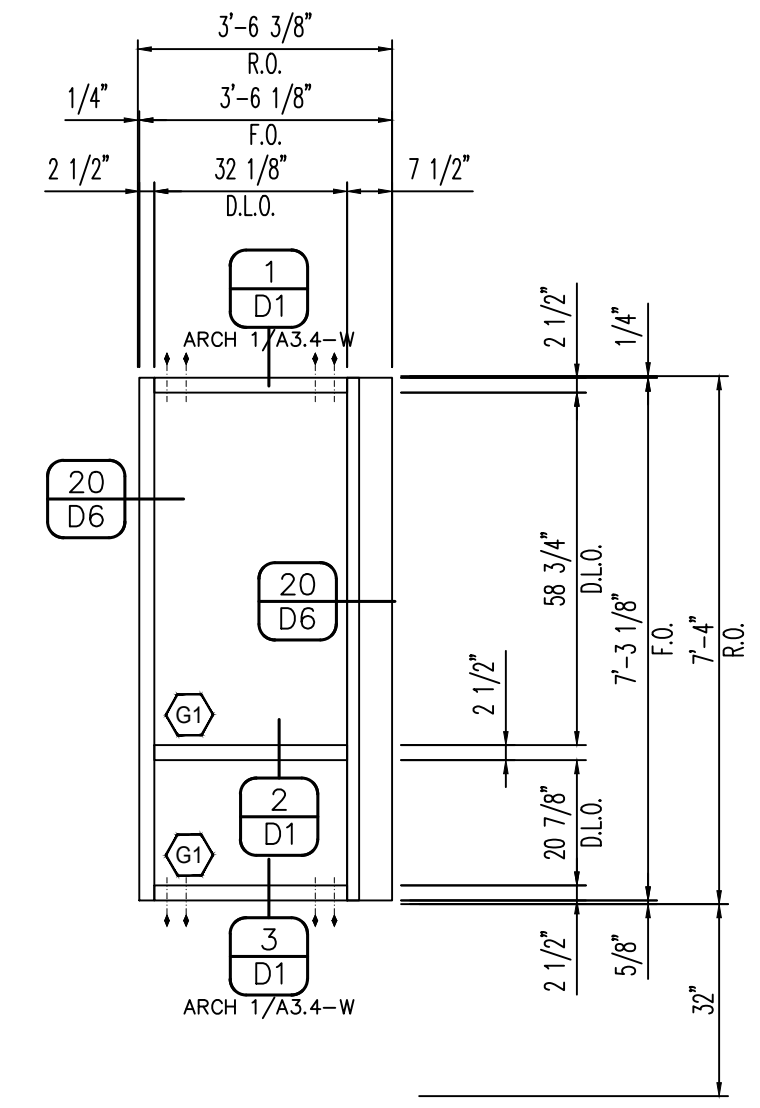
ROBERT WILSON ELEMENTRY
3925 Fort Worth St
Corpus Christi, TX

PROJECT NO.	TF-002
DRAWN	WRD
DATE	7/24/15
SCALE	1/2" = 1'-0"
DRAWING NO.	
SHEET	E3

FASTENER NOTES:

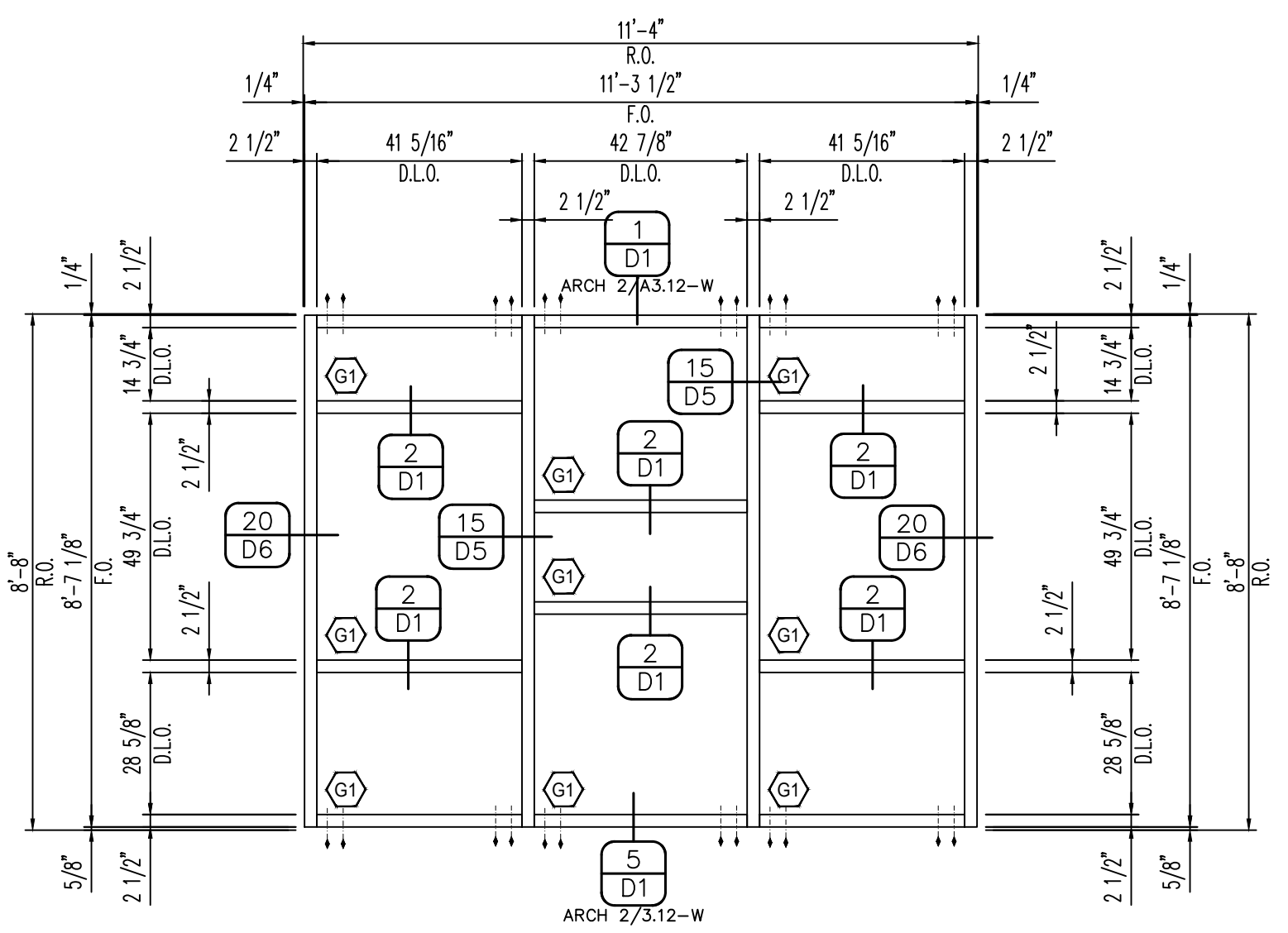
FASTENING PRODUCT TO SUBSTRATE SHALL BE DONE ACCORDING TO THE T.D.I. REPORTS DATED 10/16/14 AND STAMPED BY WALTER A. TILLIT Jr, P.E.:

- * FG-5100T - REPORT #14-076 (SEE SHEETS FT1 & FT2)
 - MSD 375/WSD 500 - REPORT #14-075 (SEE SHEETS FT3 & FT4)
 - RELIANCE CURTAIN - REPORT #14-080 (SEE SHEETS FT5 - FT7)
- THE ENTIRE REPORTS WERE SUBMITTED THROUGH THE SUBMITTAL PROCESS.

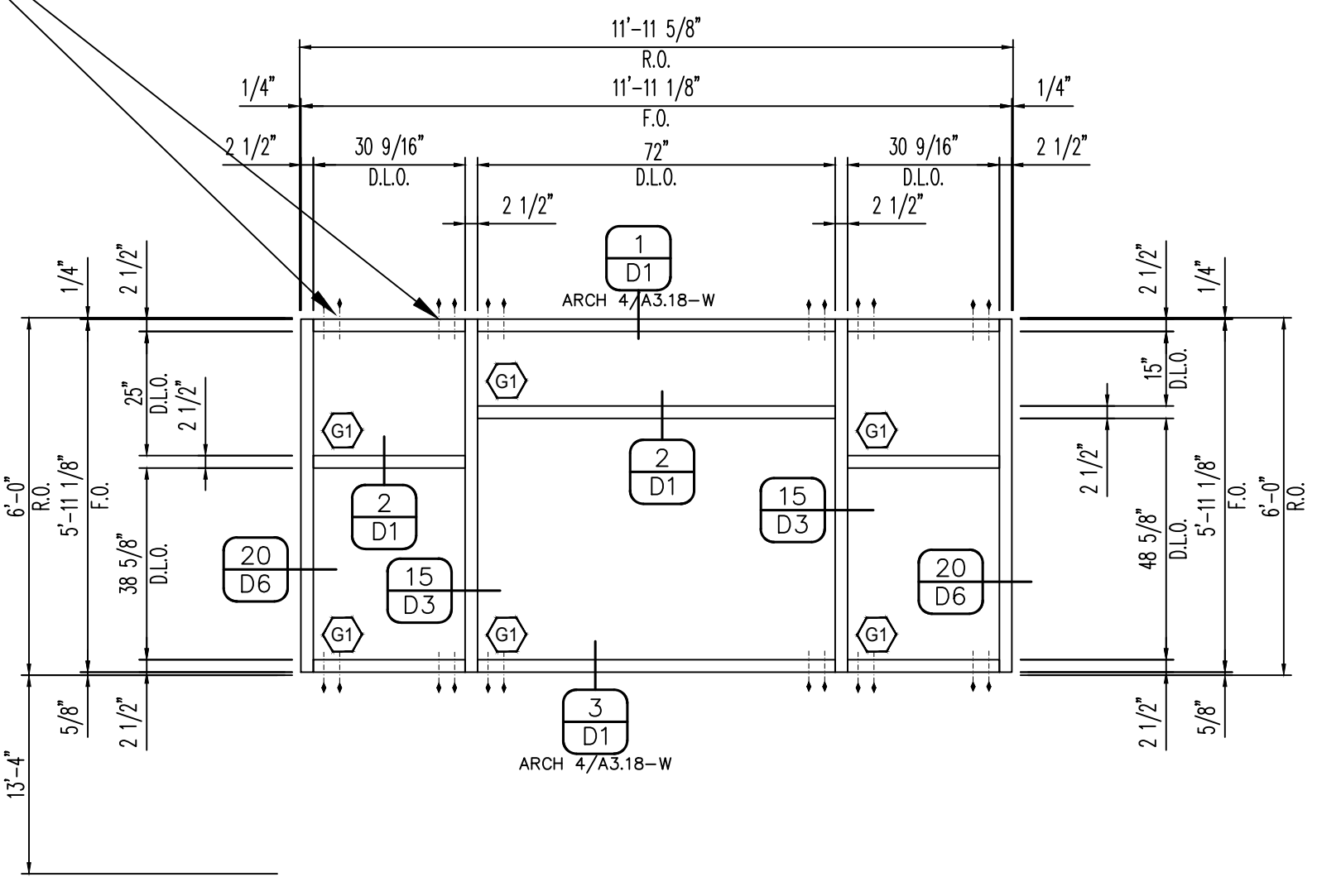


ELEVATION LX
 FINISHES:
 EXT: PER COVER SHEET
 INT: PER COVER SHEET
 SYSTEM(S): OLDCASTLE FG5100T
 SCALE: 3/8" = 1'-0"
 QTY: 2
 ARCH. REF.: A1.10E

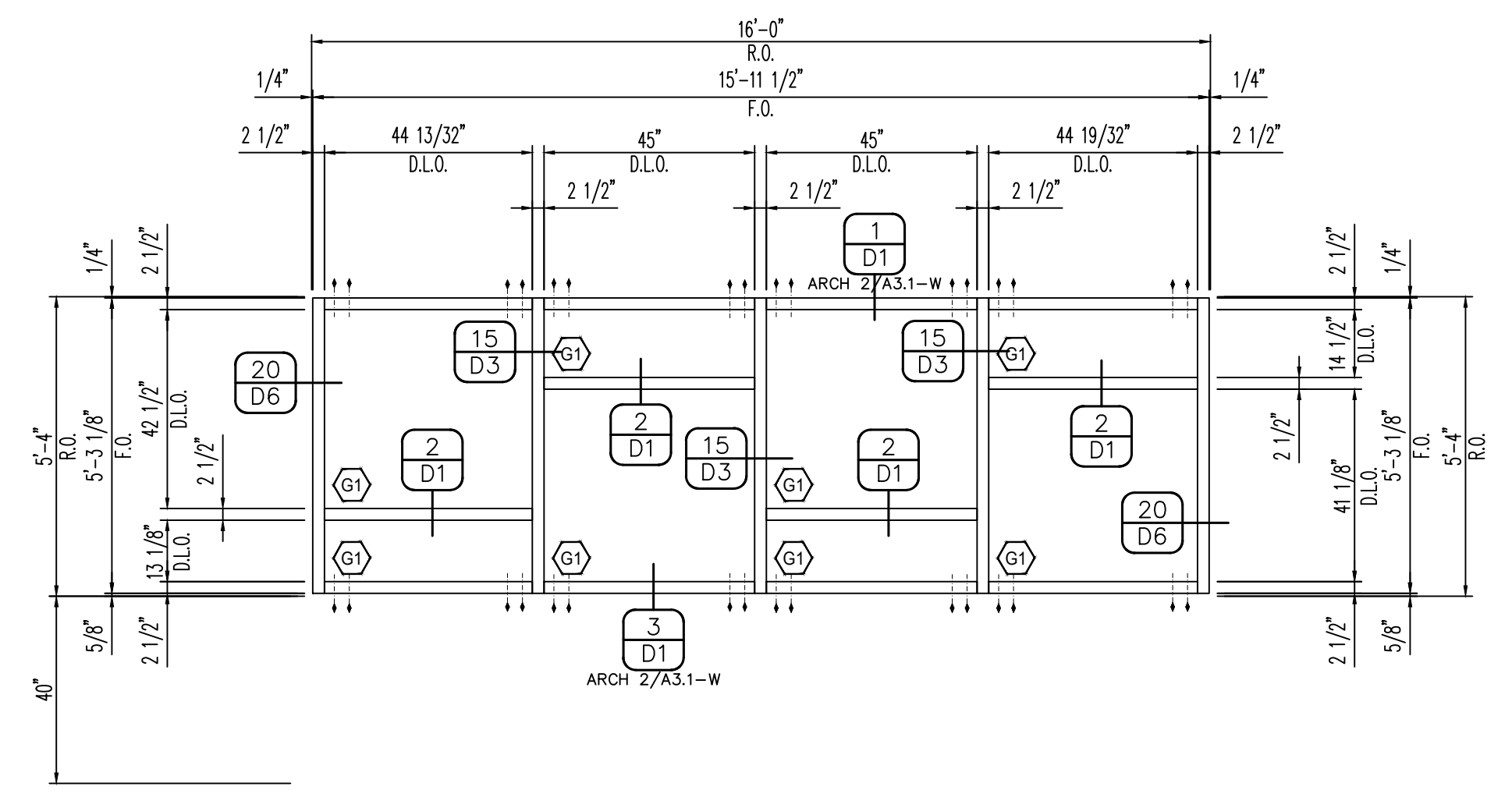
* FASTENER TYPES AND SPACING FOR FG-5100T SYSTEM CAN BE FOUND ON T.D.I. REPORT #14-076, AND SOME PAGES HAVE BEEN INCLUDED FOR EASE OF REFERENCE ON SHEETS FT1-FT2 OF THIS DOCUMENT



ELEVATION W
 FINISHES:
 EXT: PER COVER SHEET
 INT: PER COVER SHEET
 SYSTEM(S): OLDCASTLE FG5100T
 SCALE: 3/8" = 1'-0"
 QTY: 2
 ARCH. REF.: A1.10E



ELEVATION X
 FINISHES:
 EXT: PER COVER SHEET
 INT: PER COVER SHEET
 SYSTEM(S): OLDCASTLE FG5100T
 SCALE: 3/8" = 1'-0"
 QTY: 1
 ARCH. REF.: A1.10E



ELEVATION Y
 FINISHES:
 EXT: PER COVER SHEET
 INT: PER COVER SHEET
 SYSTEM(S): OLDCASTLE FG5100T
 SCALE: 3/8" = 1'-0"
 QTY: 9
 ARCH. REF.: A1.10E

REV	BY	DATE	DESCRIPTION
1	FP	12/07/16	ADD FASTENER DETAILS
2	FP	01/05/17	CORRECT THE LETTERING TO ELEVATIONS AND FIX DETAILS
2	FP	01/20/17	FIELD VERIFIED DETAILS AND CHANGED DRAWINGS

MANUAL COMP

THURMAN FONDREN GLASS Co. INC
 6933 WEBER RD
 CORPUS CHRISTI, TX 78413
 361-854-2316

ROBERT WILSON ELEMENTRY
 3925 Fort Worth St
 Corpus Christi, TX

PROJECT	TF-002
PROJECT NO.	TF-002
DRAWN	DATE
WRD	7/24/15
SCALE	1/2" = 1'-0"
DRAWING NO.	
SHEET	E4

FASTENER NOTES:

FASTENING PRODUCT TO SUBSTRATE SHALL BE DONE ACCORDING TO THE T.D.I. REPORTS DATED 10/16/14 AND STAMPED BY WALTER A. TILLIT Jr, P.E.:

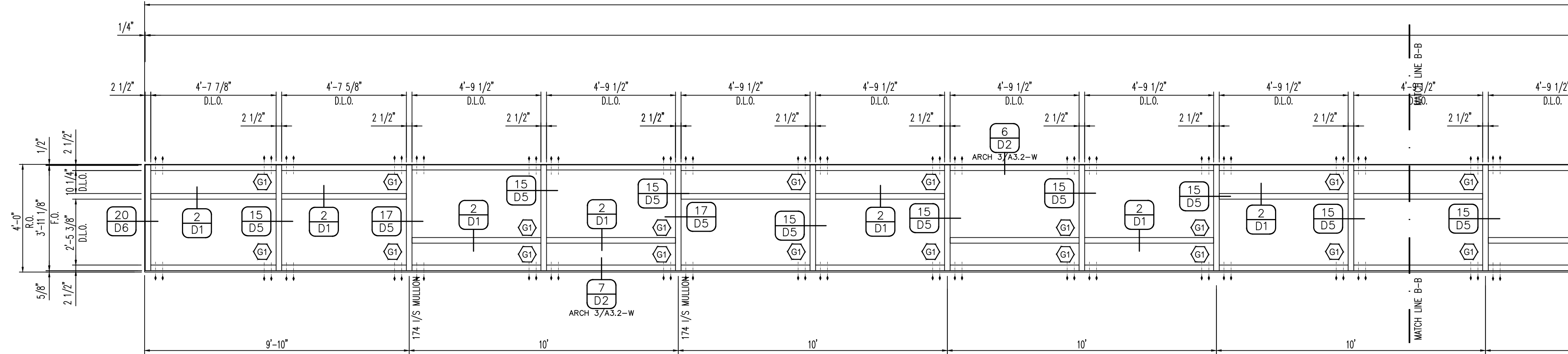
FG-5100T - REPORT #14-076 (SEE SHEETS FT1 & FT2)

MSD 375/WSD 500 - REPORT #14-075 (SEE SHEETS FT3 & FT4)

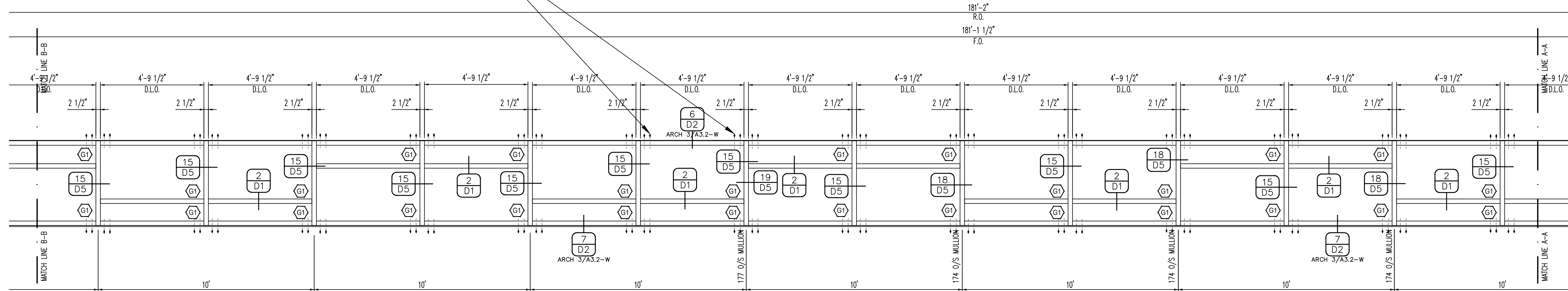
* RELIANCE CURTAIN - REPORT #14-080 (SEE SHEETS FT5 - FT7)

THE ENTIRE REPORTS WERE SUBMITTED THROUGH THE SUBMITTAL PROCESS.

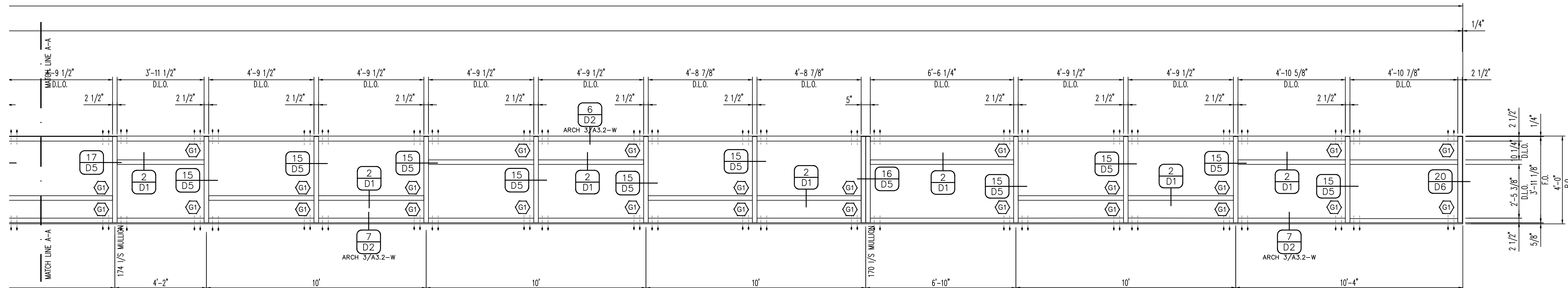
* FASTENER TYPES AND SPACING FOR FG-5100T SYSTEM CAN BE FOUND ON T.D.I. REPORT #14-076, AND SOME PAGES HAVE BEEN INCLUDED FOR EASE OF REFERENCE ON SHEETS FT1-FT2 OF THIS DOCUMENT



ELEVATION P
 FINISHES:
 EXT: PER COVER SHEET
 INT: PER COVER SHEET
 SCALE: 3/8" = 1'-0"
 QTY: 1
 SYSTEM(S): OLDCASTLE FG5100T
 ARCH. REF.: A1.10E



ELEVATION P
 FINISHES:
 EXT: PER COVER SHEET
 INT: PER COVER SHEET
 SCALE: 3/8" = 1'-0"
 QTY: 1
 SYSTEM(S): OLDCASTLE FG5100T
 ARCH. REF.: A1.10E



ELEVATION P
 FINISHES:
 EXT: PER COVER SHEET
 INT: PER COVER SHEET
 SCALE: 3/8" = 1'-0"
 QTY: 1
 SYSTEM(S): OLDCASTLE FG5100T
 ARCH. REF.: A1.10E

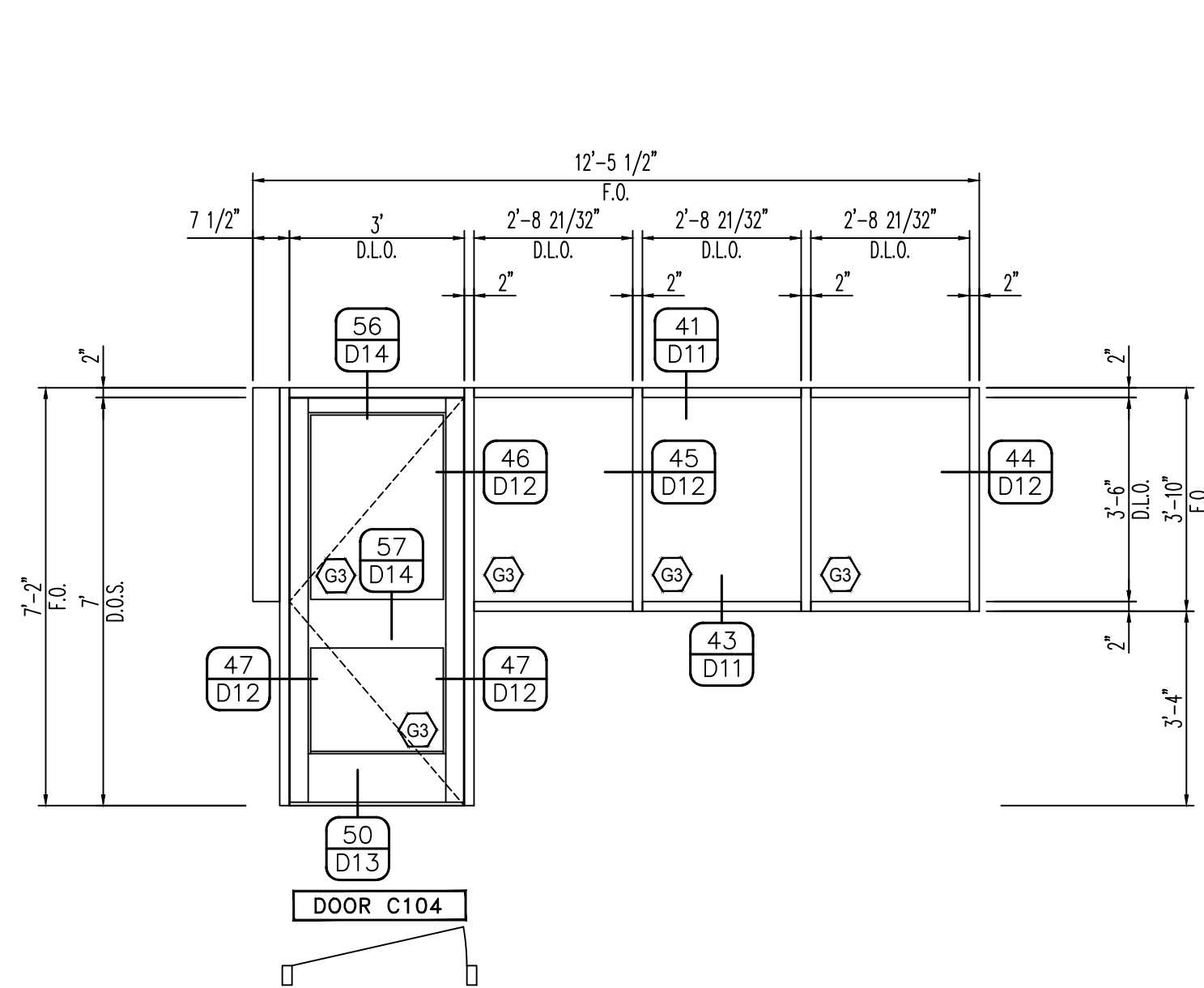
REV	BY	DATE	DESCRIPTION
2	Fp	01/20/17	FIELD VERIFIED DETAILS AND CHANGED DRAWINGS
2	Fp	01/05/17	CORRECT THE LETTERING TO ELEVATIONS AND FIX DETAILS
1	Fp	12/23/16	CHANGE PROJECT FROM WET TO DRY GLAZE
1	Fp	12/07/16	ADD FASTENER DETAILS

MANUAL COMP

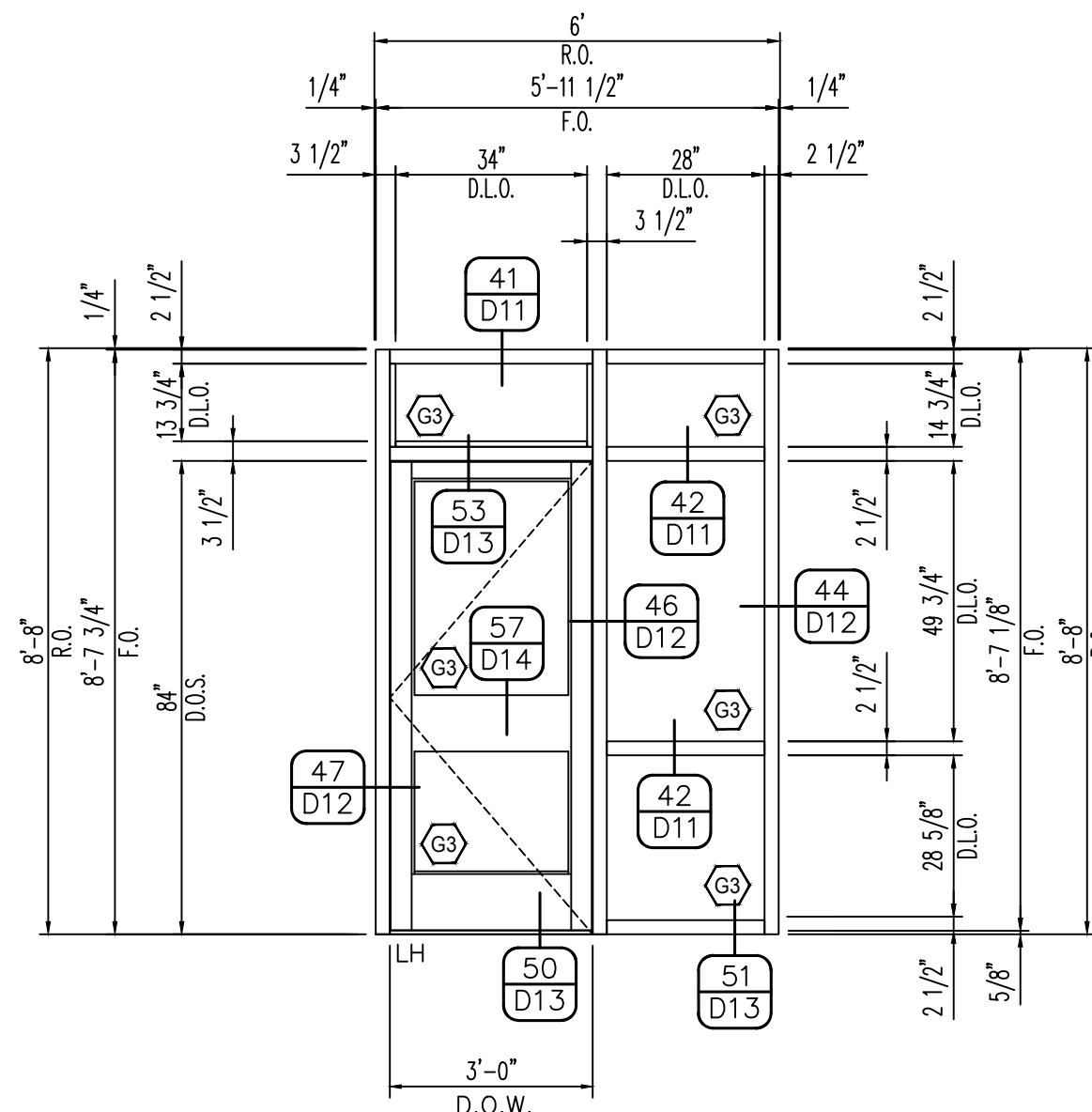
THURMAN FONDREN GLASS Co. INC.
 6933 WEBER RD
 CORPUS CHRISTI, TX 78413
 361-854-2316

ROBERT WILSON ELEMENTRY
 3925 Fort Worth St
 Corpus Christi, TX

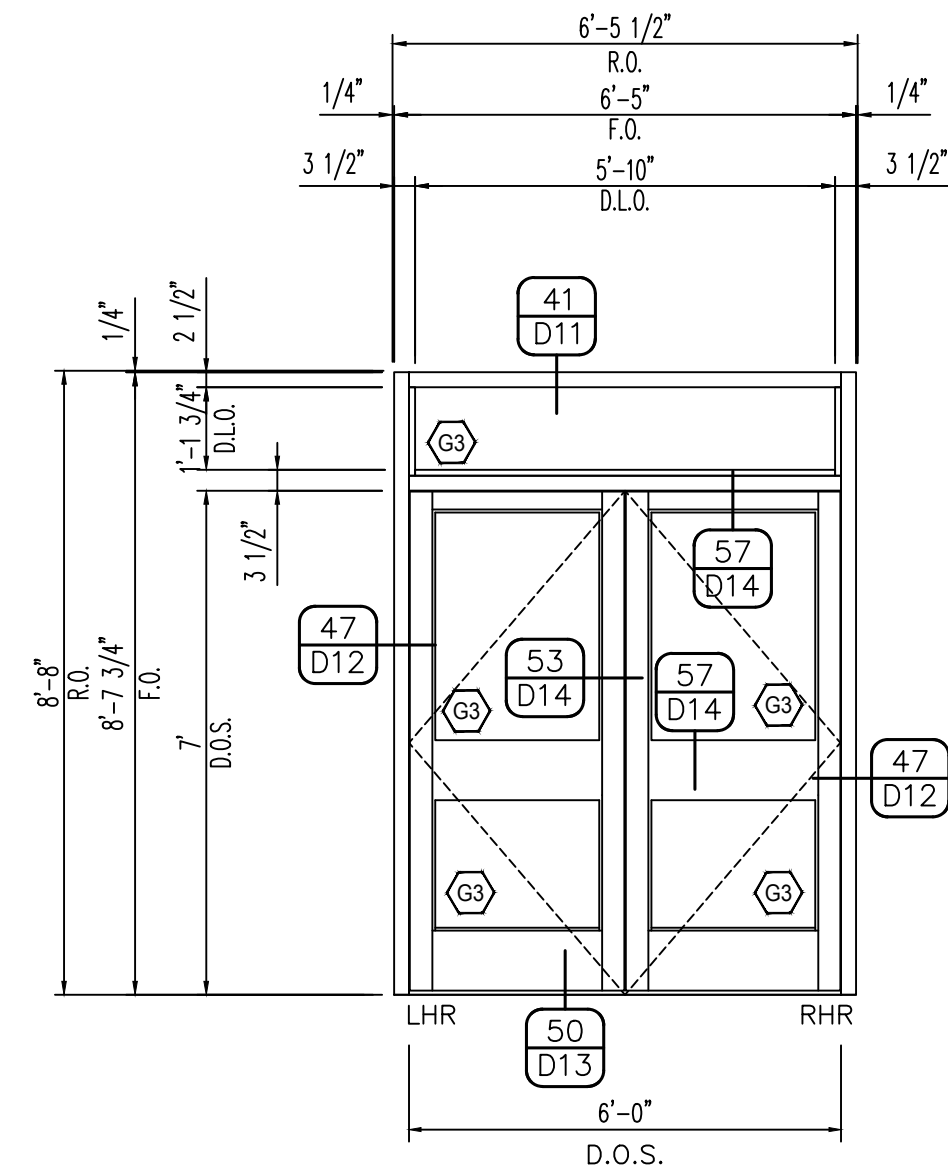
PROJECT NO.	TF-002
DRAWN	WRD
DATE	7/24/15
SCALE	1/2" = 1'-0"
DRAWING NO.	
SHEET	E5



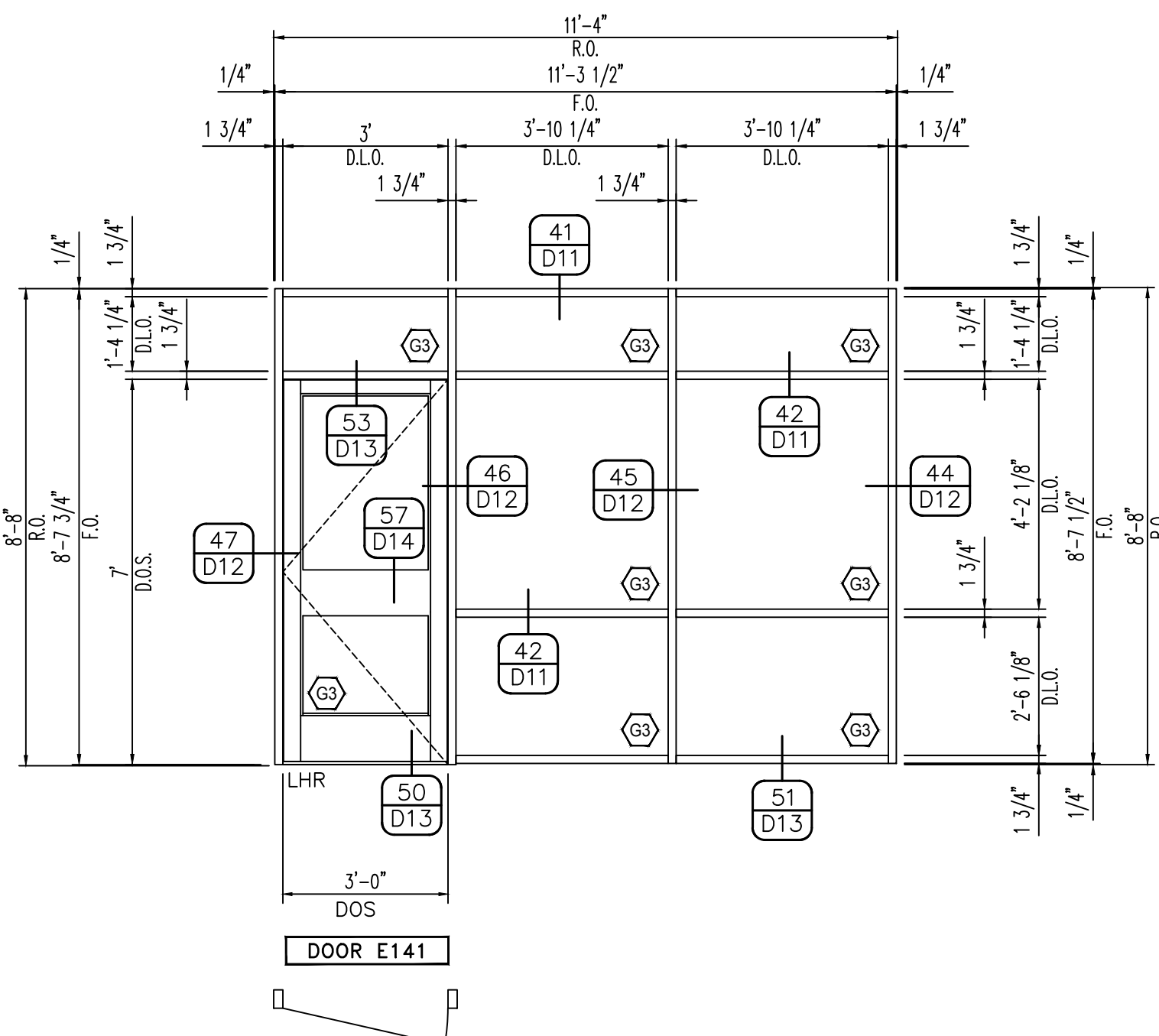
ELEVATION BI
 FINISHES:
 EXT: PER COVER SHEET
 INT: PER COVER SHEET
 SCALE: 3/8" = 1'-0"
 QTY: 1
 ARCH. REF.: A1.9E
 SYSTEM(S): OLDCASTLE FG2000
 OLDCASTLE WSD-500 WIDE STILE DOOR



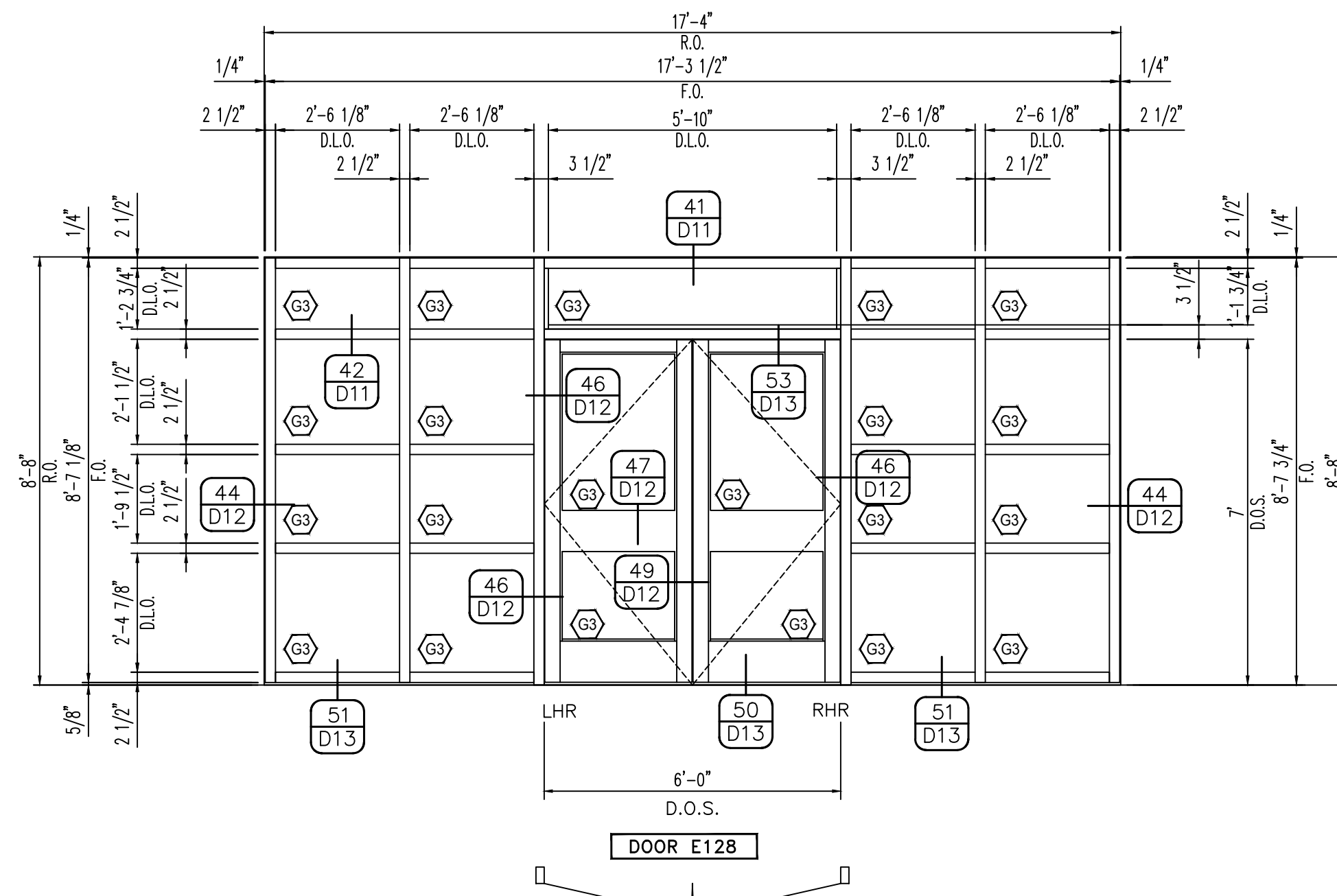
ELEVATION DI
 FINISHES:
 EXT: PER COVER SHEET
 INT: PER COVER SHEET
 SCALE: 3/8" = 1'-0"
 QTY: 1
 ARCH. REF.: A1.5W
 SYSTEM(S): OLDCASTLE FG2000
 OLDCASTLE WSD-500 WIDE STILE DOOR



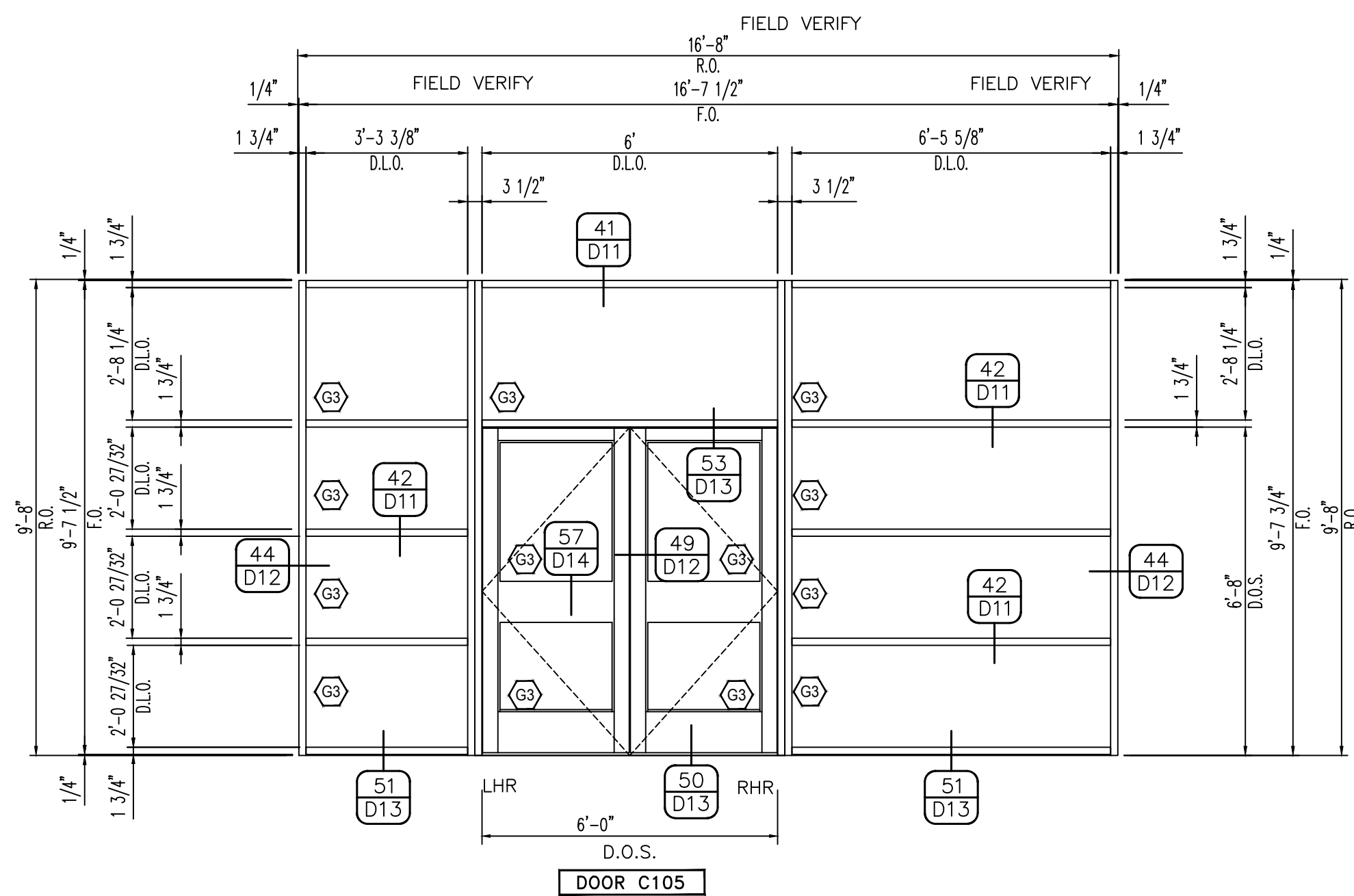
ELEVATION GI
 FINISHES:
 EXT: PER COVER SHEET
 INT: PER COVER SHEET
 SCALE: 3/8" = 1'-0"
 QTY: 7
 ARCH. REF.: A1.10E
 SYSTEM(S): OLDCASTLE FG2000
 OLDCASTLE WSD-500 WIDE STILE DR



ELEVATION D11
 FINISHES:
 EXT: PER COVER SHEET
 INT: PER COVER SHEET
 SCALE: 3/8" = 1'-0"
 QTY: 1
 ARCH. REF.: A1.10E
 SYSTEM(S): OLDCASTLE FG2000
 OLDCASTLE WSD-500 WIDE STILE DOOR



ELEVATION MI
 FINISHES:
 EXT: PER COVER SHEET
 INT: PER COVER SHEET
 SCALE: 3/8" = 1'-0"
 QTY: 1
 ARCH. REF.: A1.10E
 SYSTEM(S): OLDCASTLE FG2000
 OLDCASTLE WSD-500 WIDE STILE DOORS



ELEVATION RI
 FINISHES:
 EXT: PER COVER SHEET
 INT: PER COVER SHEET
 SCALE: 3/8" = 1'-0"
 QTY: 1
 ARCH. REF.: A1.10E
 SYSTEM(S): OLDCASTLE FG2000
 OLDCASTLE WSD-500 WIDE STILE DOORS

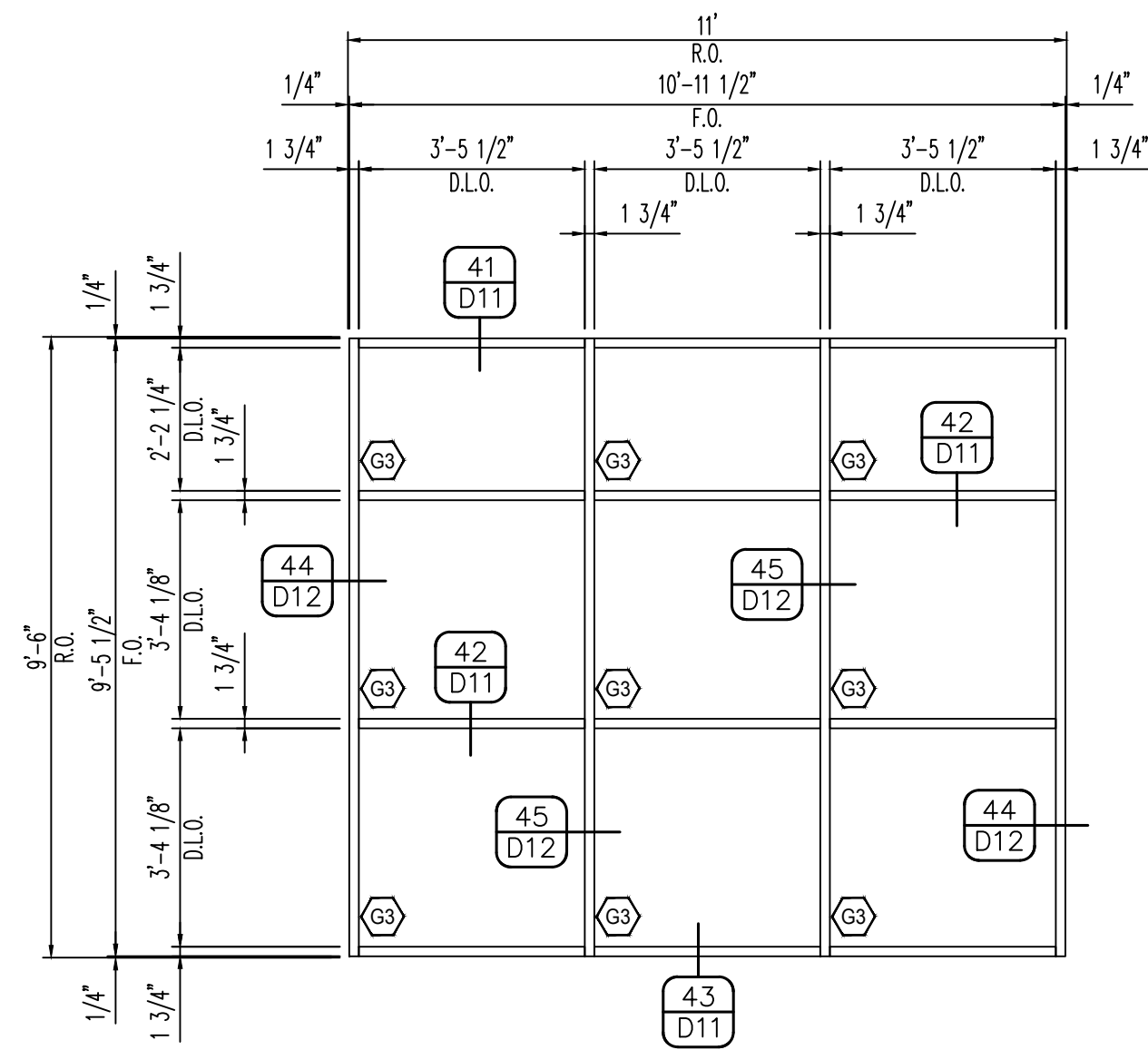
REV	BY	DATE	DESCRIPTION
2	FP	01/20/17	FIELD VERIFIED DETAILS AND CHANGED DRAWINGS
2	FP	01/05/17	CORRECT THE LETTERING TO ELEVATIONS AND FIX DETAILS
1	FP	12/23/16	CHANGE PROJECT FROM WET TO DRY GLAZE
1	FP	12/07/16	ADD FASTENER DETAILS

MANUAL COMP

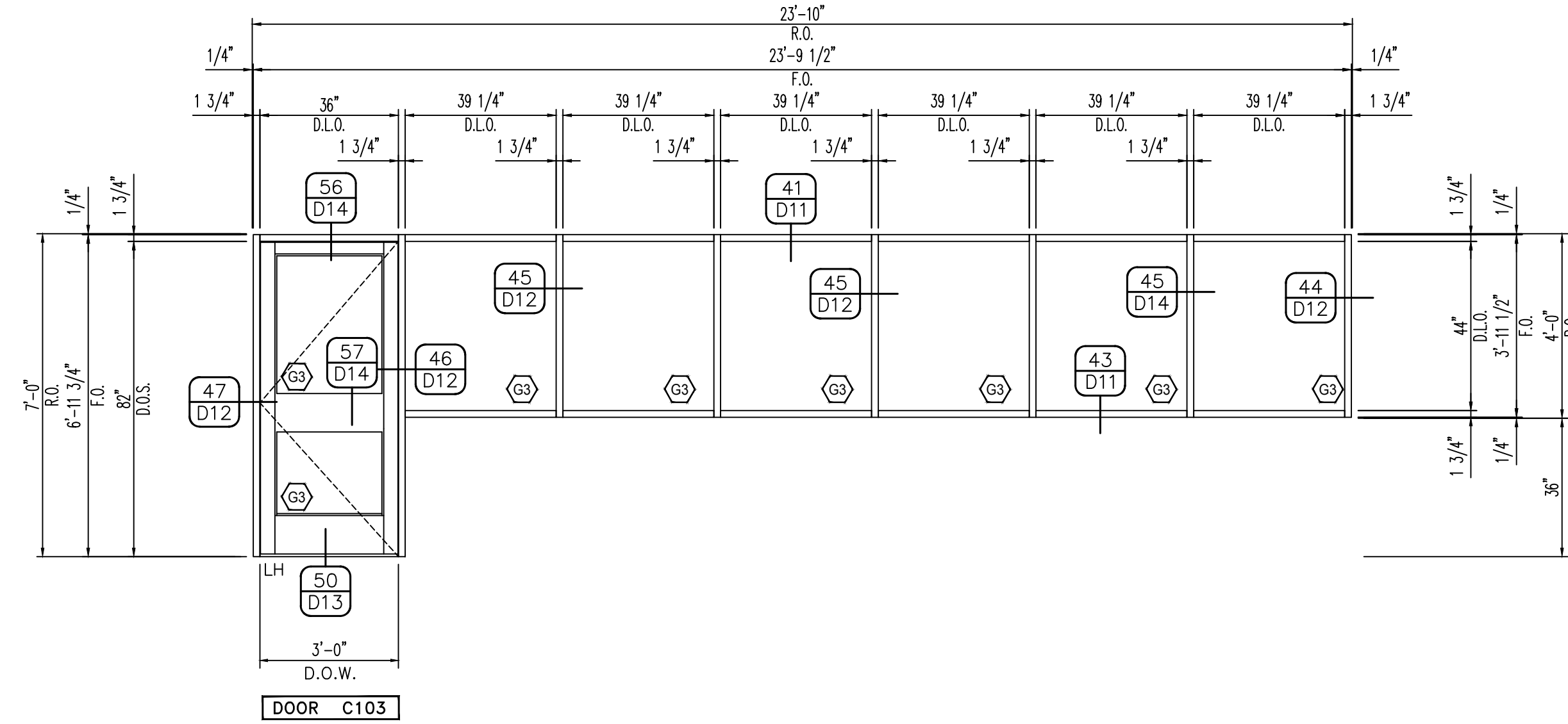
THURMAN FONDREN GLASS Co. INC
 6933 WEBER RD
 CORPUS CHRISTI, TX 78413
 361-854-2316

PROJECT
 ROBERT WILSON ELEMENTRY
 3925 Fort Worth St
 Corpus Christi, TX

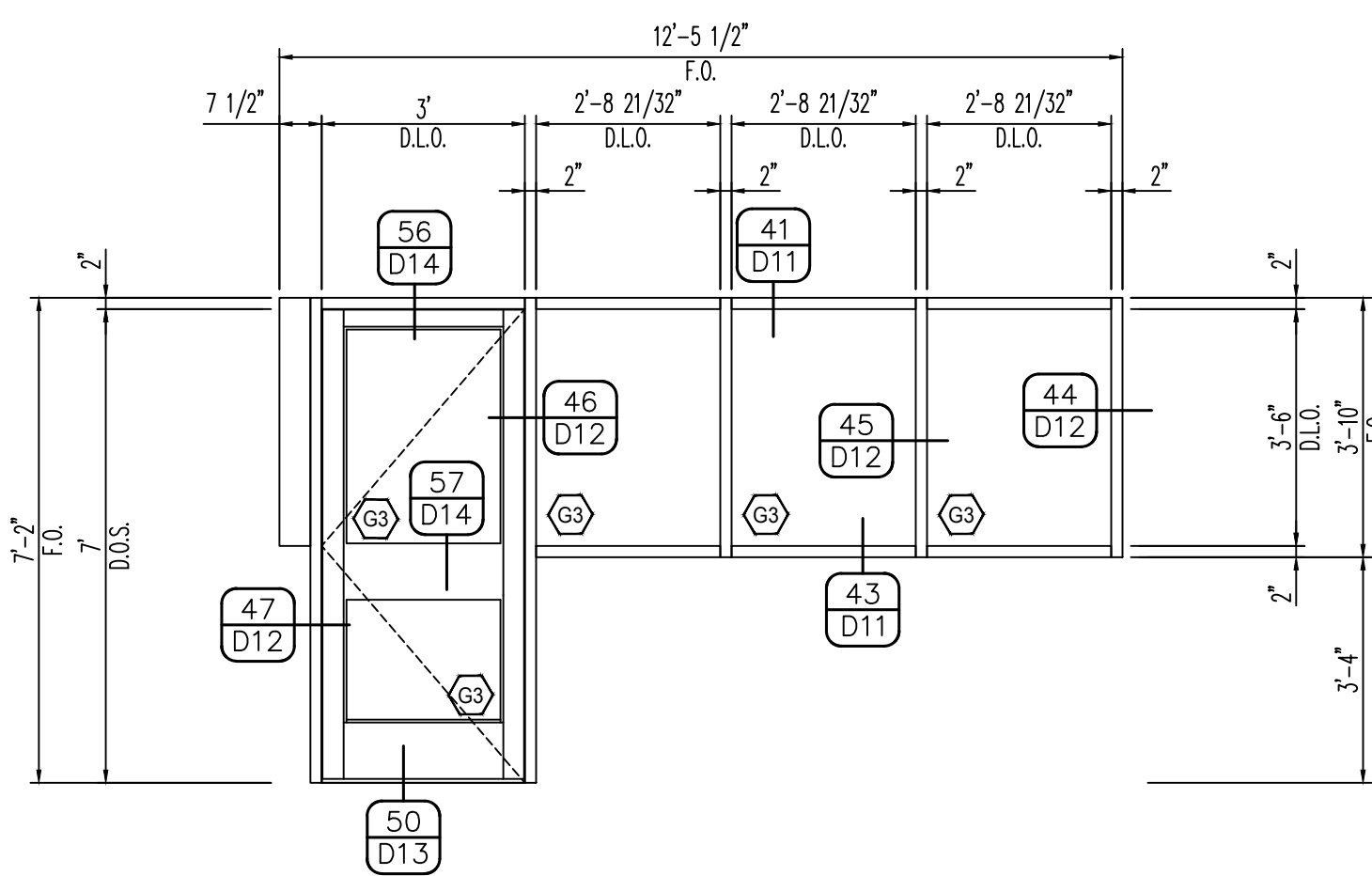
PROJECT NO.	TF-002
DRAWN	WRD
DATE	7/24/15
SCALE	1/2" = 1'-0"
DRAWING NO.	
SHEET	E6



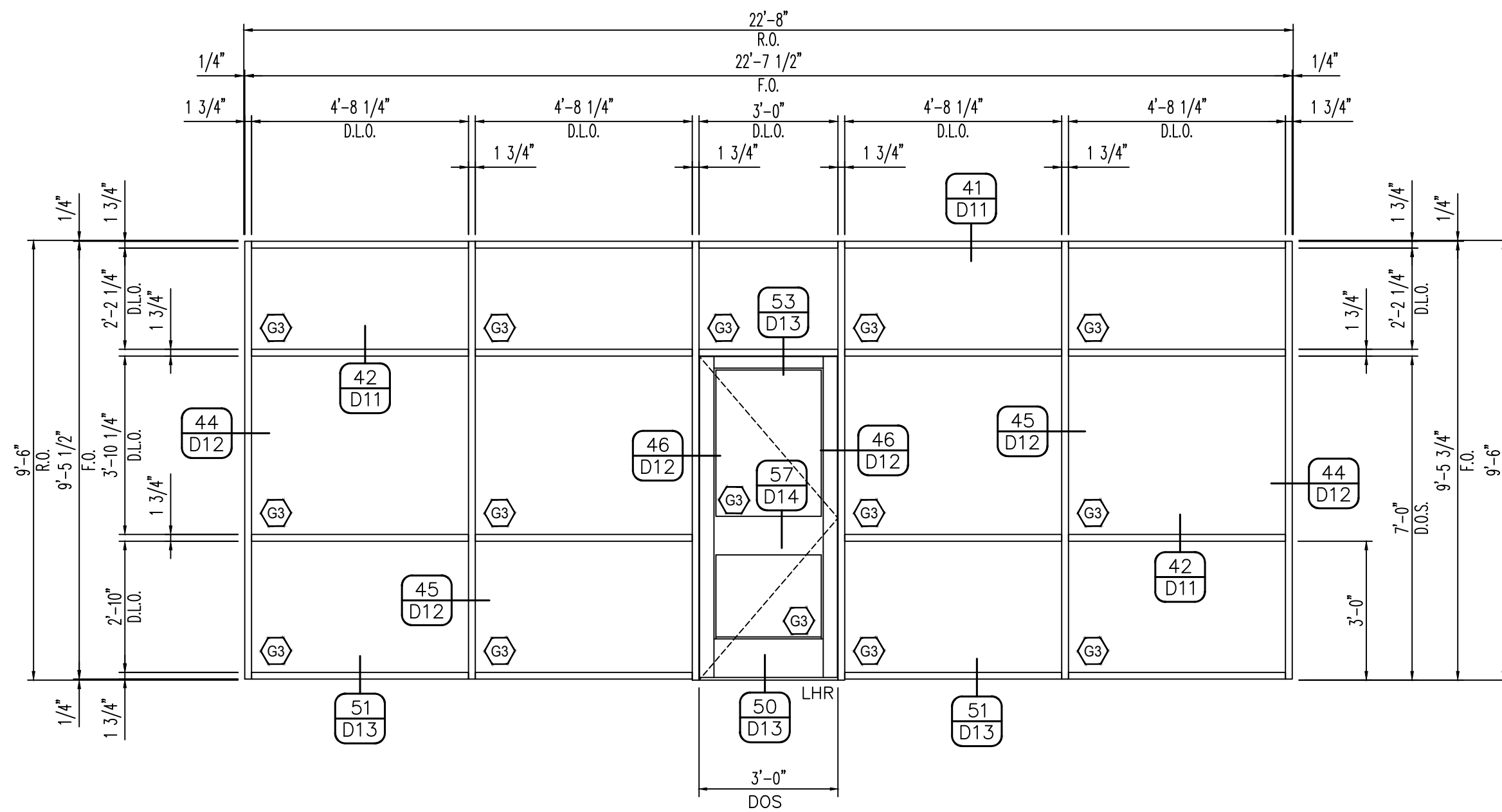
ELEVATION **CI** FINISHES:
EXT: PER COVER SHEET
INT: PER COVER SHEET
SCALE: 3/8" = 1'-0"
QTY: 1
ARCH. REF.: A1.3W
SYSTEM(S): OLDCASTLE FG2000



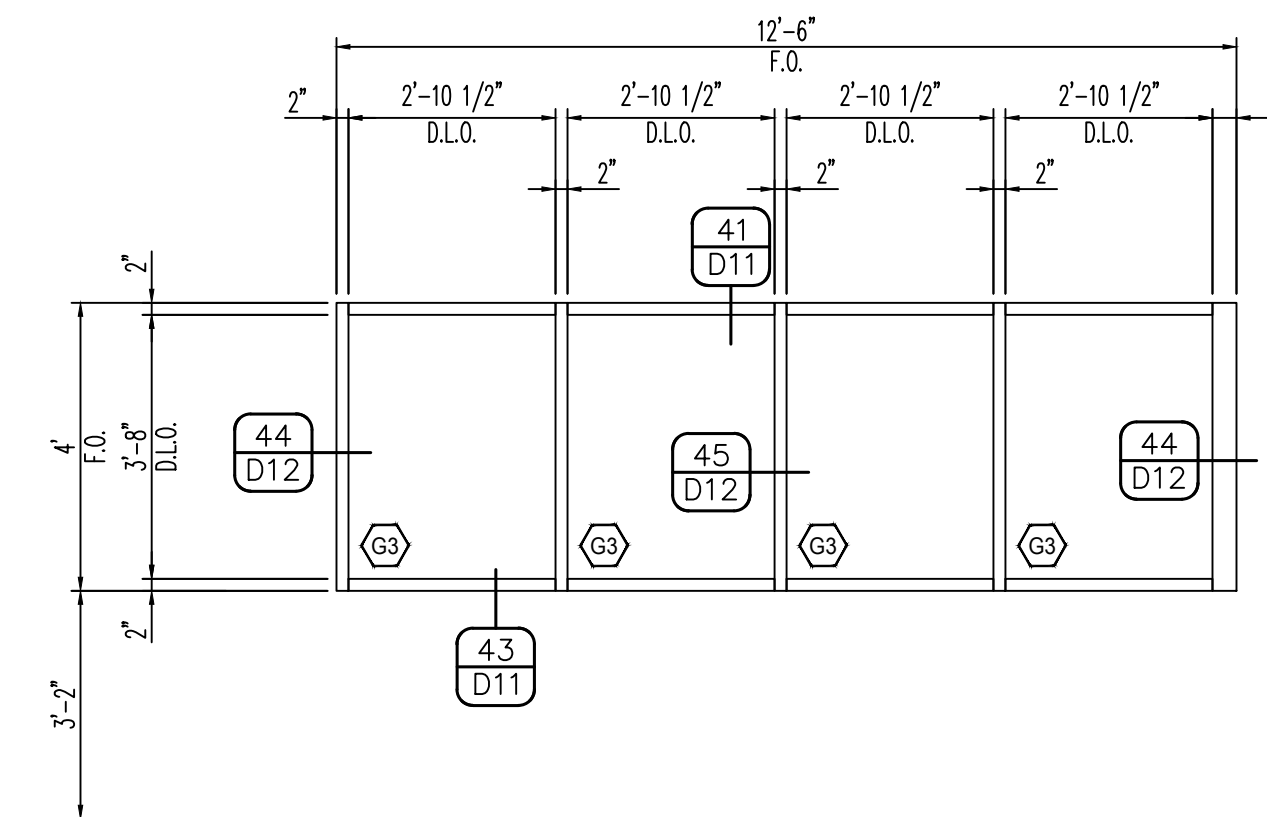
ELEVATION **KI** FINISHES:
EXT: PER COVER SHEET
INT: PER COVER SHEET
SCALE: 3/8" = 1'-0"
QTY: 1
ARCH. REF.: A1.3W
SYSTEM(S): OLDCASTLE FG2000
OLDCASTLE WSD-500 WIDE STILE DOOR



ELEVATION **SI** FINISHES:
EXT: PER COVER SHEET
INT: PER COVER SHEET
SCALE: 3/8" = 1'-0"
QTY: 1
ARCH. REF.: A1.9E
SYSTEM(S): OLDCASTLE FG2000
OLDCASTLE WSD-500 WIDE STILE DOOR



ELEVATION **SFI** FINISHES:
EXT: PER COVER SHEET
INT: PER COVER SHEET
SCALE: 3/8" = 1'-0"
QTY: 1
ARCH. REF.: A1.10E
SYSTEM(S): OLDCASTLE FC2000
OLDCASTLE WSD-500 WIDE STILE DR
1/4" TEMPERED GLAZING



ELEVATION **ZI** FINISHES:
EXT: PER COVER SHEET
INT: PER COVER SHEET
SCALE: 3/8" = 1'-0"
QTY: 1
ARCH. REF.: A1.3W
SYSTEM(S): OLDCASTLE FG2000

REV	BY	DATE	DESCRIPTION
2	Fp	01/20/17	FIELD VERIFIED DETAILS AND CHANGED DRAWINGS
2	Fp	01/05/17	CORRECT THE LETTERING TO ELEVATIONS AND FIX DETAILS
1	Fp	12/23/16	CHANGE PROJECT FROM WET TO DRY GLAZE
1	Fp	12/07/16	ADD FASTENER DETAILS

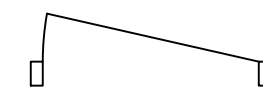
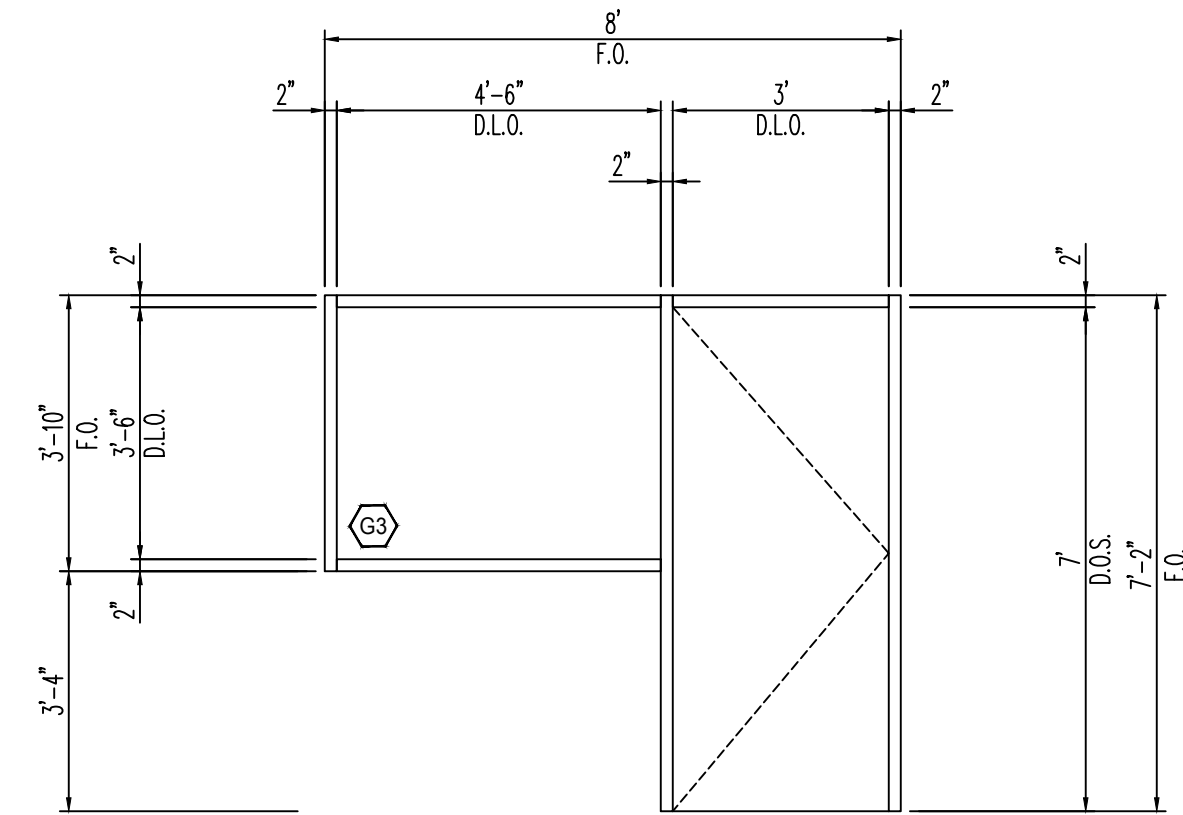
MANUAL COMP

THURMAN FONDREN GLASS Co. INC
6933 WEBER RD
CORPUS CHRISTI, TX 78413
361-854-2316

ROBERT WILSON ELEMENTRY
3925 Fort Worth St
Corpus Christi, TX

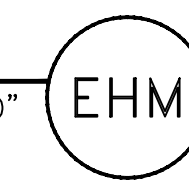
PROJECT NO.	TF-002
DRAWN	WRD
DATE	7/24/15
SCALE	1/2" = 1'-0"
DRAWING NO.	
SHEET	E7

EXCLUSION NOTE:
THE HOLLOW-METAL
FRAMES ARE PROVIDED
BY OTHERS.

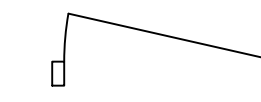
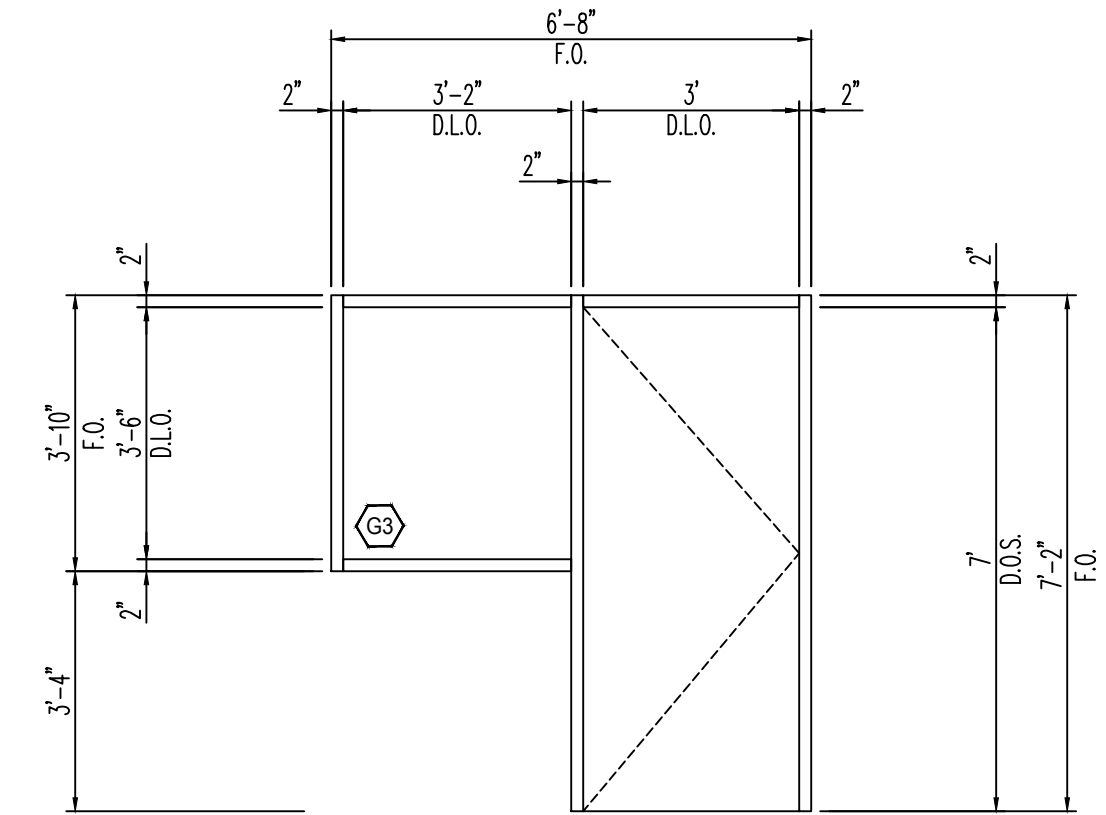


DOOR E125

ELEVATION
SCALE: 3/8" = 1'-0"
QTY: 1
ARCH. REF.: A1.5W

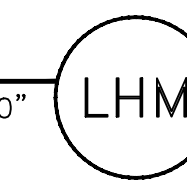


FINISHES:
EXT: PER COVER SHEET
INT: PER COVER SHEET
SYSTEM(S): HM FRAME

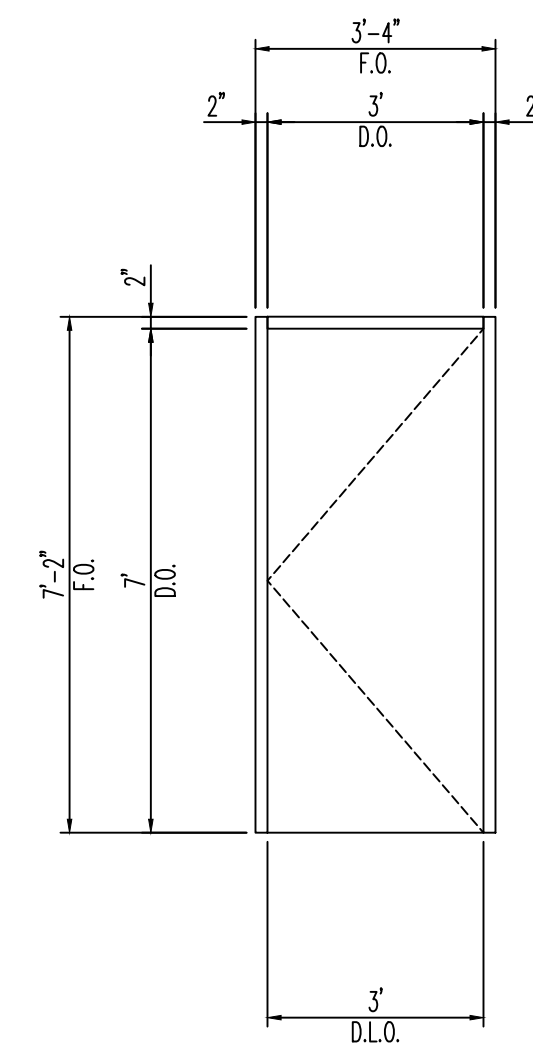


DOOR E139

ELEVATION
SCALE: 3/8" = 1'-0"
QTY: 1
ARCH. REF.: A1.9E

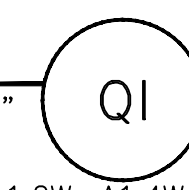


FINISHES:
EXT: PER COVER SHEET
INT: PER COVER SHEET
SYSTEM(S): HM FRAME



DOOR A100	DOOR A110	DOOR B110	DOOR B135	DOOR D111	DOOR D133
DOOR A101	DOOR A111	DOOR B115	DOOR B138	DOOR D115	DOOR D136
DOOR A102	DOOR A113	DOOR B116	DOOR B143	DOOR D116	DOOR D137
DOOR A103	DOOR B101	DOOR B119	DOOR C100	DOOR D119	DOOR D140
DOOR A104	DOOR B102	DOOR B120	DOOR C107	DOOR D126	
DOOR A105	DOOR B105	DOOR B126	DOOR D104	DOOR D127	
DOOR A106	DOOR B106	DOOR B129	DOOR D105	DOOR D130	
DOOR A107	DOOR B109	DOOR B130	DOOR D106	DOOR D131	

ELEVATION
SCALE: 3/8" = 1'-0"
QTY: 44
ARCH. REF.: A1.1W, A1.2W, A1.4W



FINISHES:
EXT: PER COVER SHEET
INT: PER COVER SHEET
SYSTEM(S): HM FRAME

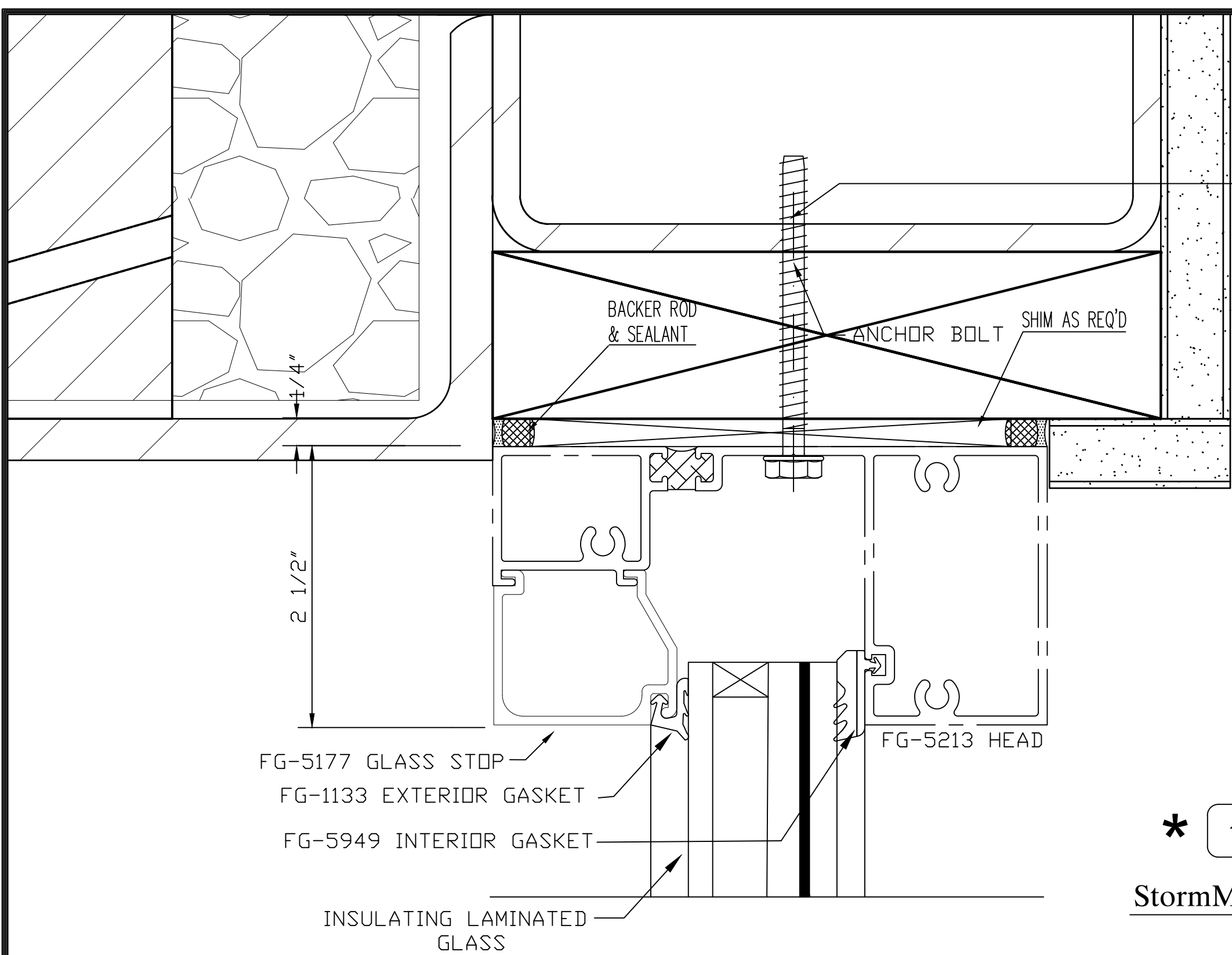
REV	BY	DATE	DESCRIPTION
2	FP	01/20/17	FIELD VERIFIED DETAILS AND CHANGED DRAWINGS
2	FP	01/05/17	CORRECT THE LETTERING TO ELEVATIONS AND FIX DETAILS
1	FP	12/23/16	CHANGE PROJECT FROM WET TO DRY GLAZE
1	FP	12/07/16	ADD FASTENER DETAILS

MANUAL COMP

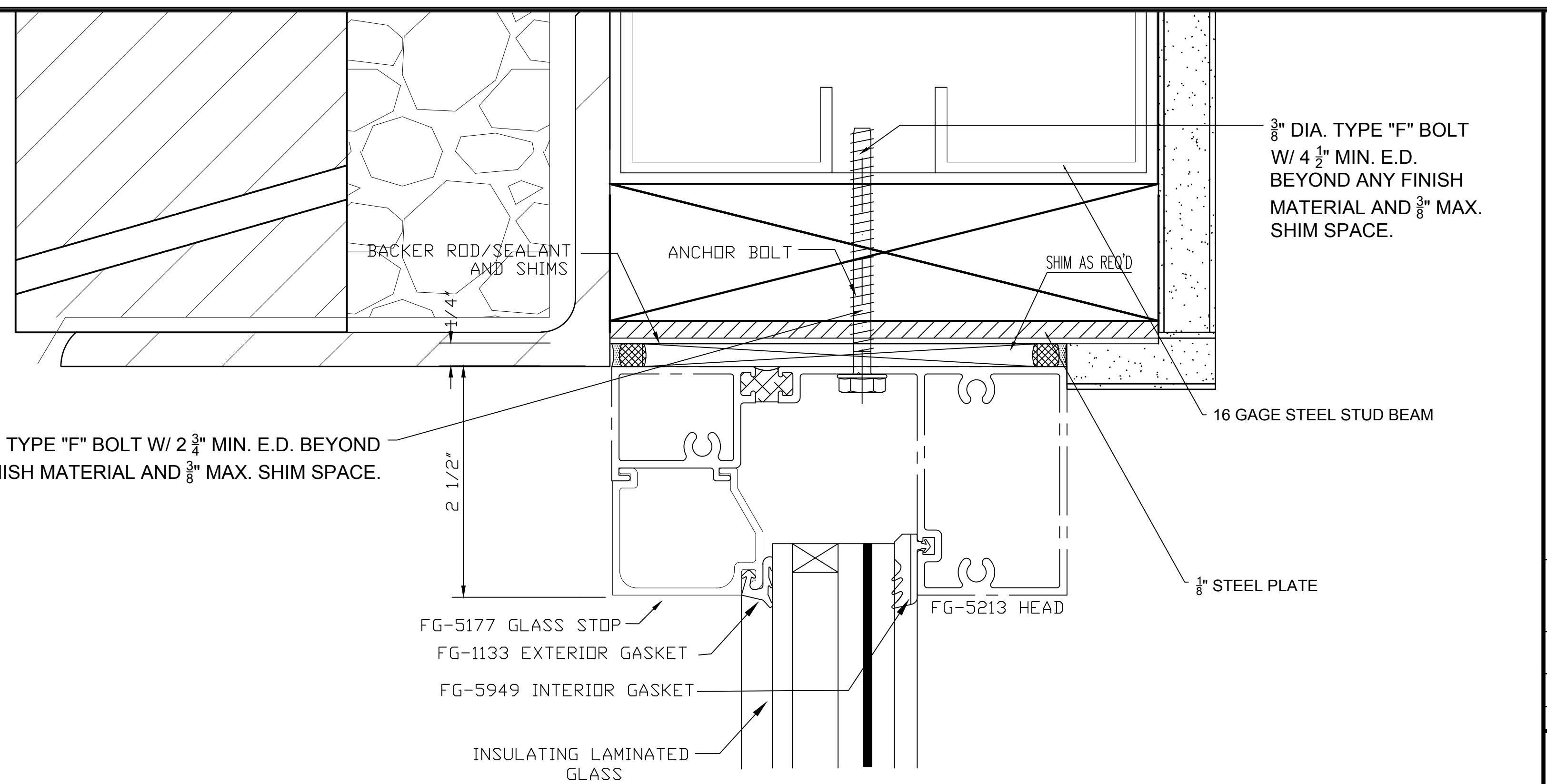
THURMAN FONDREN GLASS Co. INC
6933 WEBER RD
CORPUS CHRISTI, TX 78413
361-854-2316

ROBERT WILSON ELEMENTRY
3925 Fort Worth St
Corpus Christi, TX

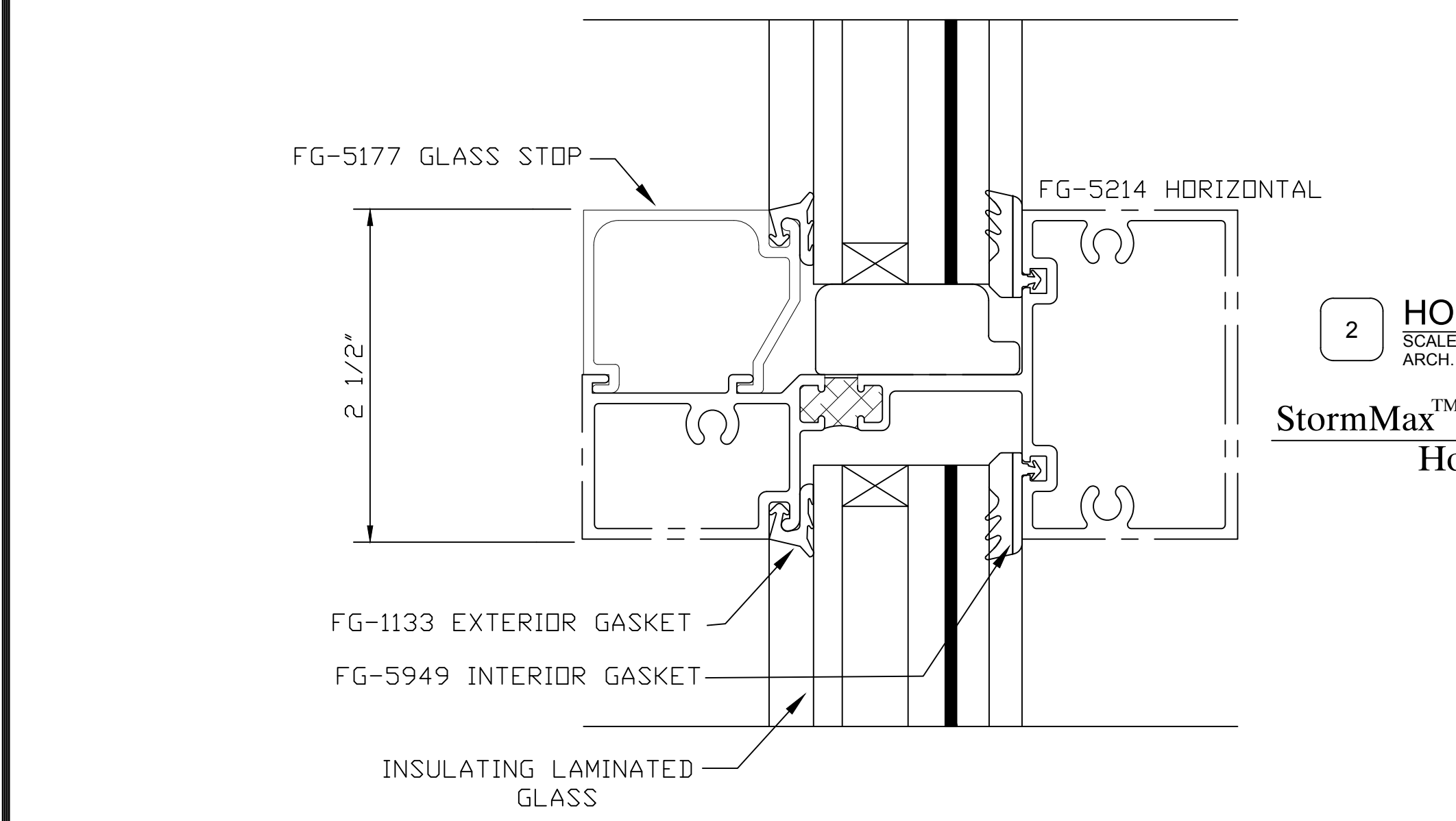
PROJECT NO.	TF-002
DRAWN	WRD
DATE	7/24/15
SCALE	1/2" = 1'-0"
DRAWING NO.	
SHEET	E8



*** 1 HEAD DETAIL**
 SCALE: 1" = 1"
 ARCH. REF.: 10/A5.02E, 15/A5.02E
StormMax™ FG-5100T - Dry Glazed
 Head - H8351

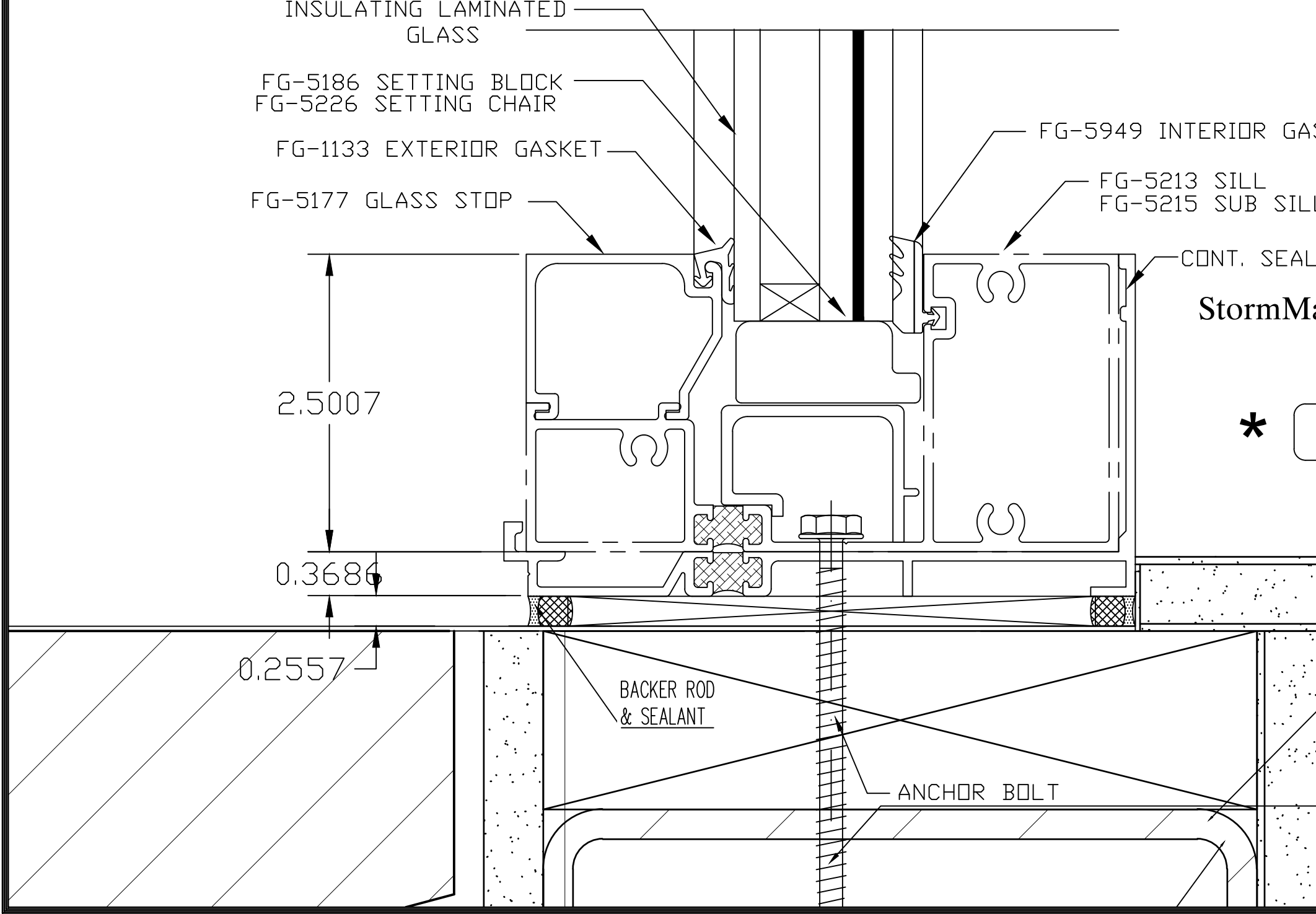


*** 4 HEAD DETAIL**
 SCALE: 1" = 1"
 ARCH. REF.: 20/A5.0E
StormMax™ FG-5100T - Dry Glazed
 Head - H8351

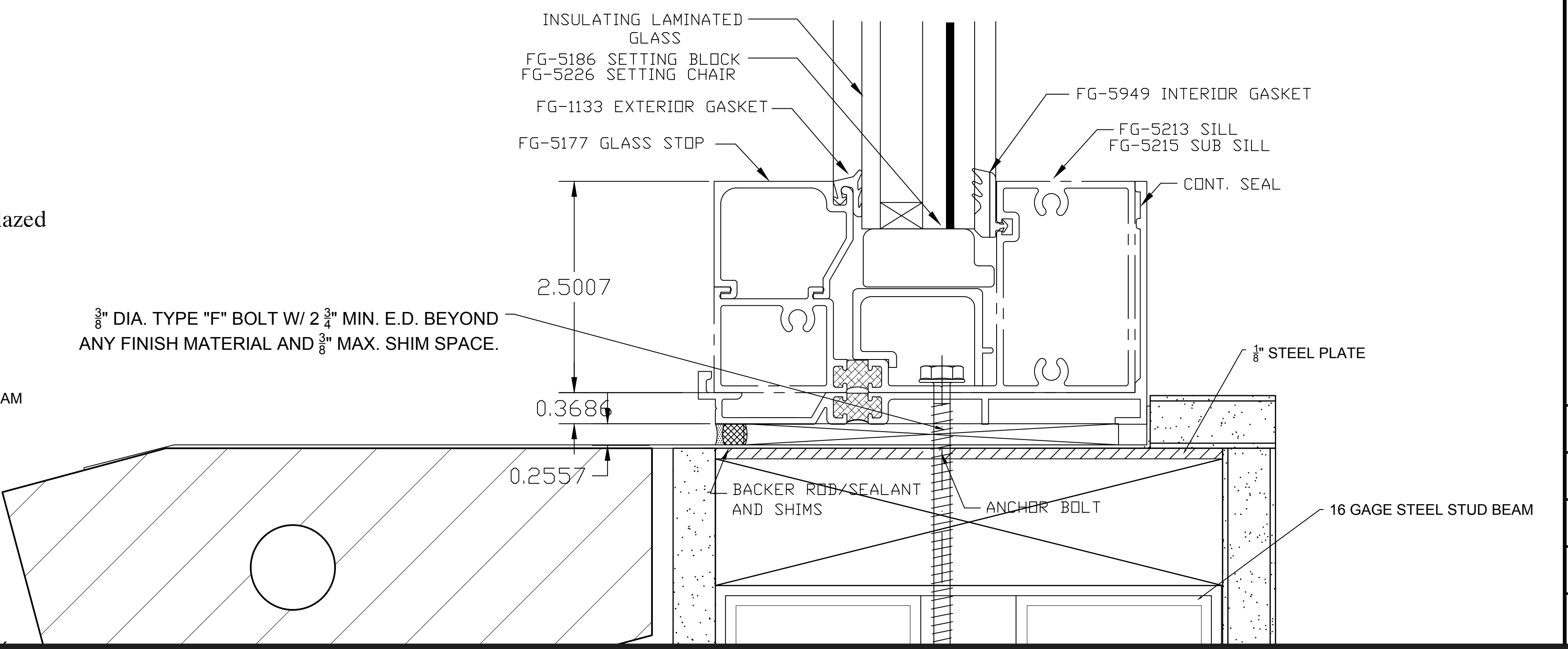


*** 2 HORIZONTAL DETAIL**
 SCALE: 1" = 1"
 ARCH. REF.: NONE
StormMax™ FG-5100T - Dry Glazed
 Horizontal - H8352

FASTENER NOTES:
 FASTENING PRODUCT TO SUBSTRATE SHALL BE DONE ACCORDING TO THE T.D.I. REPORTS DATED 10/16/14 AND STAMPED BY WALTER A. TILLIT Jr, P.E.:
 * FG-5100T - REPORT #14-076 (SEE SHEETS FT1 & FT2)
 MSD 375/WSD 500 - REPORT #14-075 (SEE SHEETS FT3 & FT4)
 RELIANCE CURTAIN - REPORT #14-080 (SEE SHEETS FT5 - FT7)
 THE ENTIRE REPORTS WERE SUBMITTED THROUGH THE SUBMITTAL PROCESS.



*** 3 SILL DETAIL**
 SCALE: 1" = 1"
 ARCH. REF.: 14/A5.02E
StormMax™ FG-5100T - Dry Glazed
 Sill- H8353



*** 5 SILL DETAIL**
 SCALE: 1" = 1"
 ARCH. REF.: 11/A3.1E
StormMax™ FG-5100T - Dry Glazed
 Sill- H8353

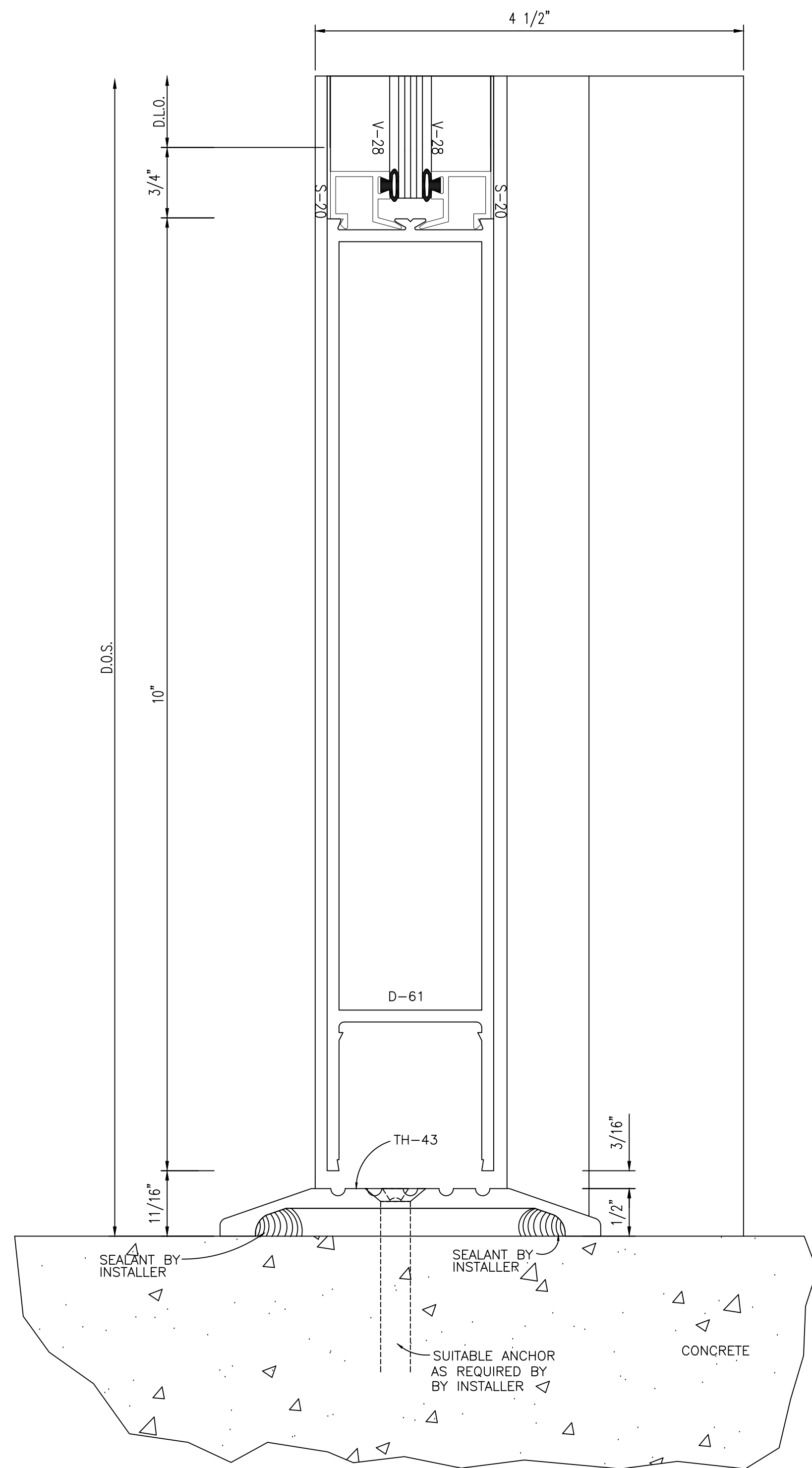
REV	BY	DATE	DESCRIPTION
2	FP	01/20/17	FIELD VERIFIED DETAILS AND CHANGED DRAWINGS
2	FP	01/05/17	CORRECT THE LETTERING TO ELEVATIONS AND FIX DETAILS
1	FP	12/23/16	CHANGE PROJECT FROM VET TO DRY GLAZE
1	FP	12/07/16	ADD FASTENER DETAILS

MANUAL COMP

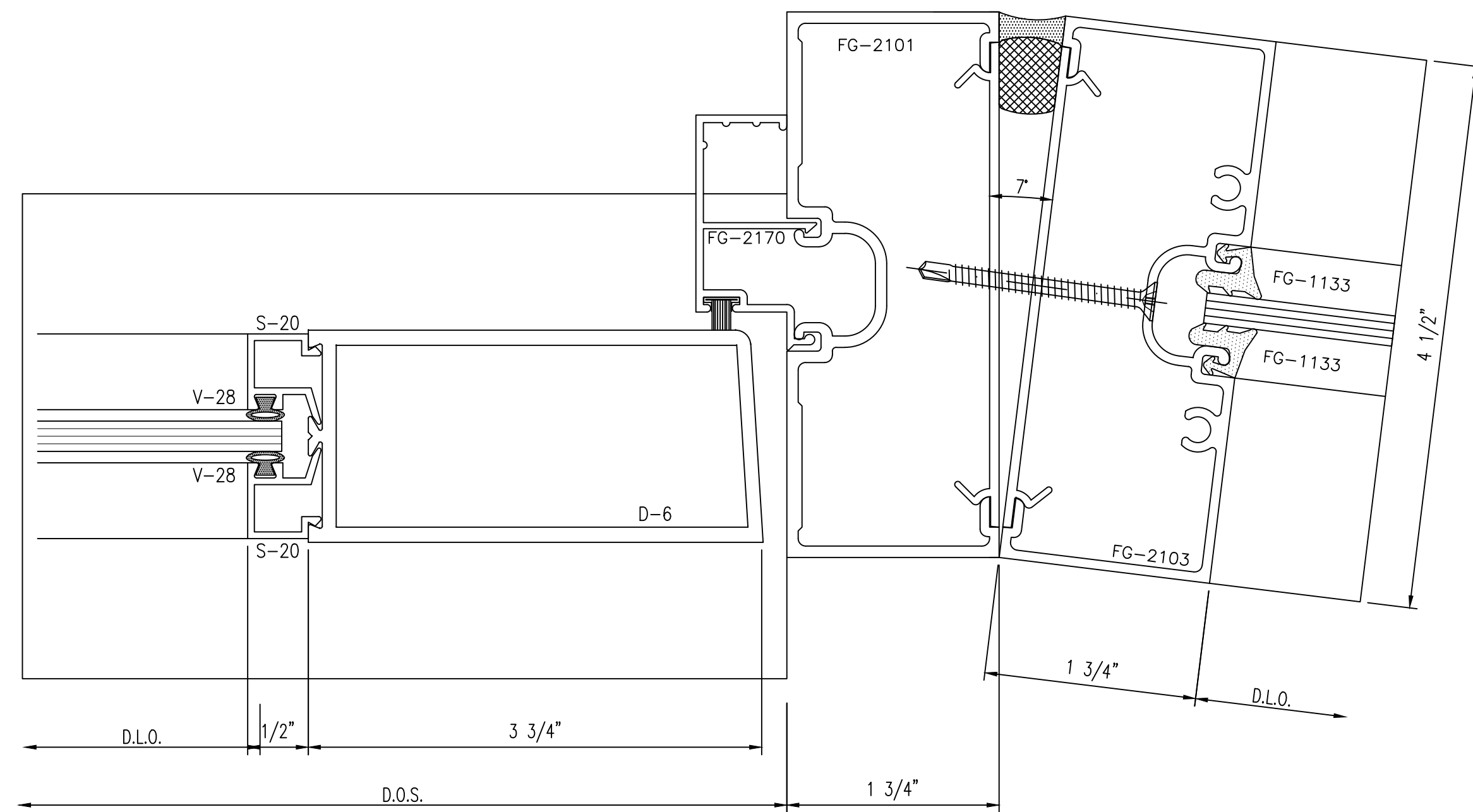
THURMAN FONDREN GLASS Co. INC
 6933 WEBER RD
 CORPUS CHRISTI, TX 78413
 361-854-2316

ROBERT WILSON ELEMENTRY
 3925 Fort Worth St
 Corpus Christi, TX

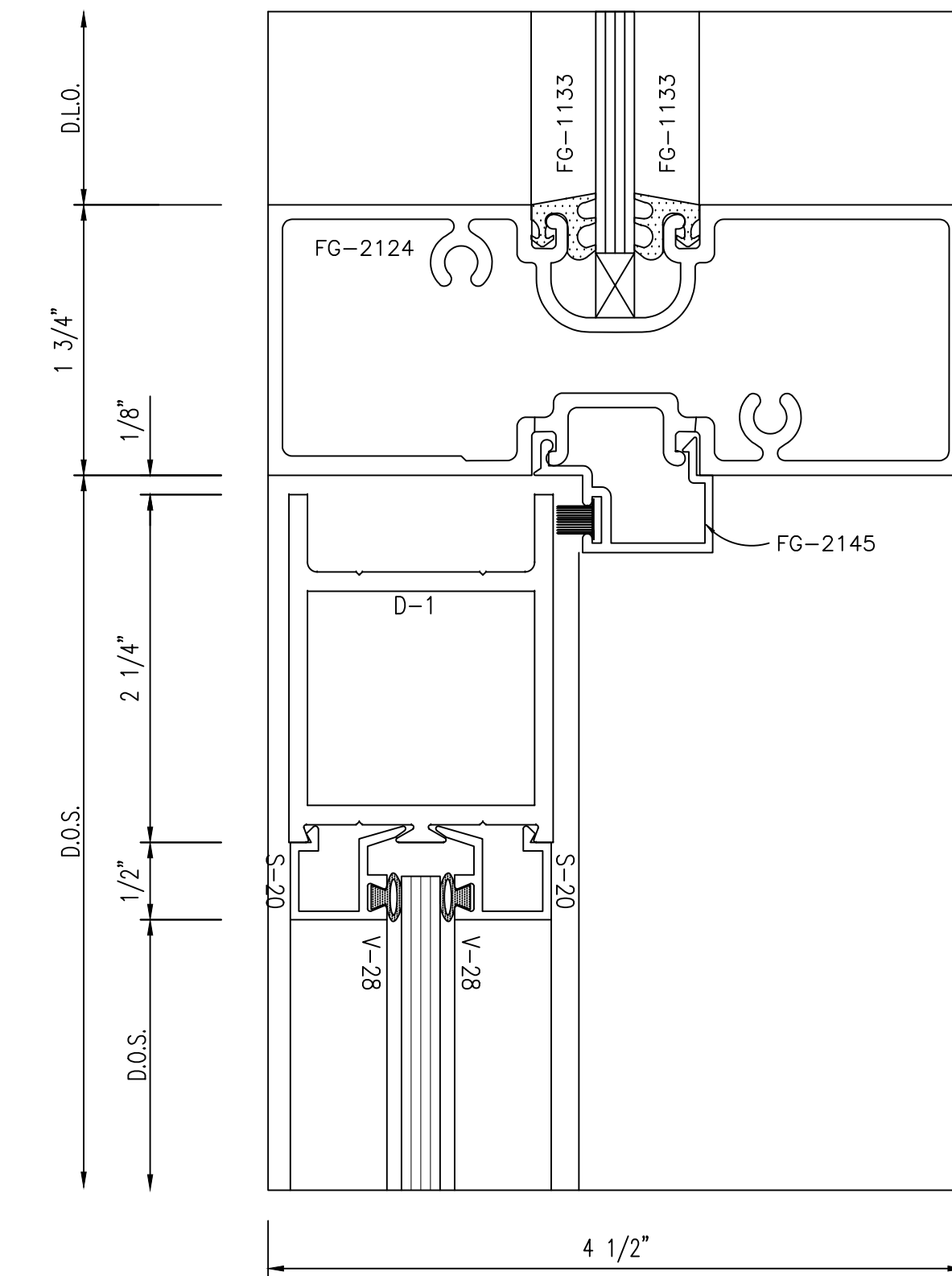
PROJECT
 PROJECT NO. **TF-002**
 DRAWN **WRD** DATE **7/24/15**
 SCALE **1/2" = 1'-0"**
 DRAWING NO.
 SHEET **D1**



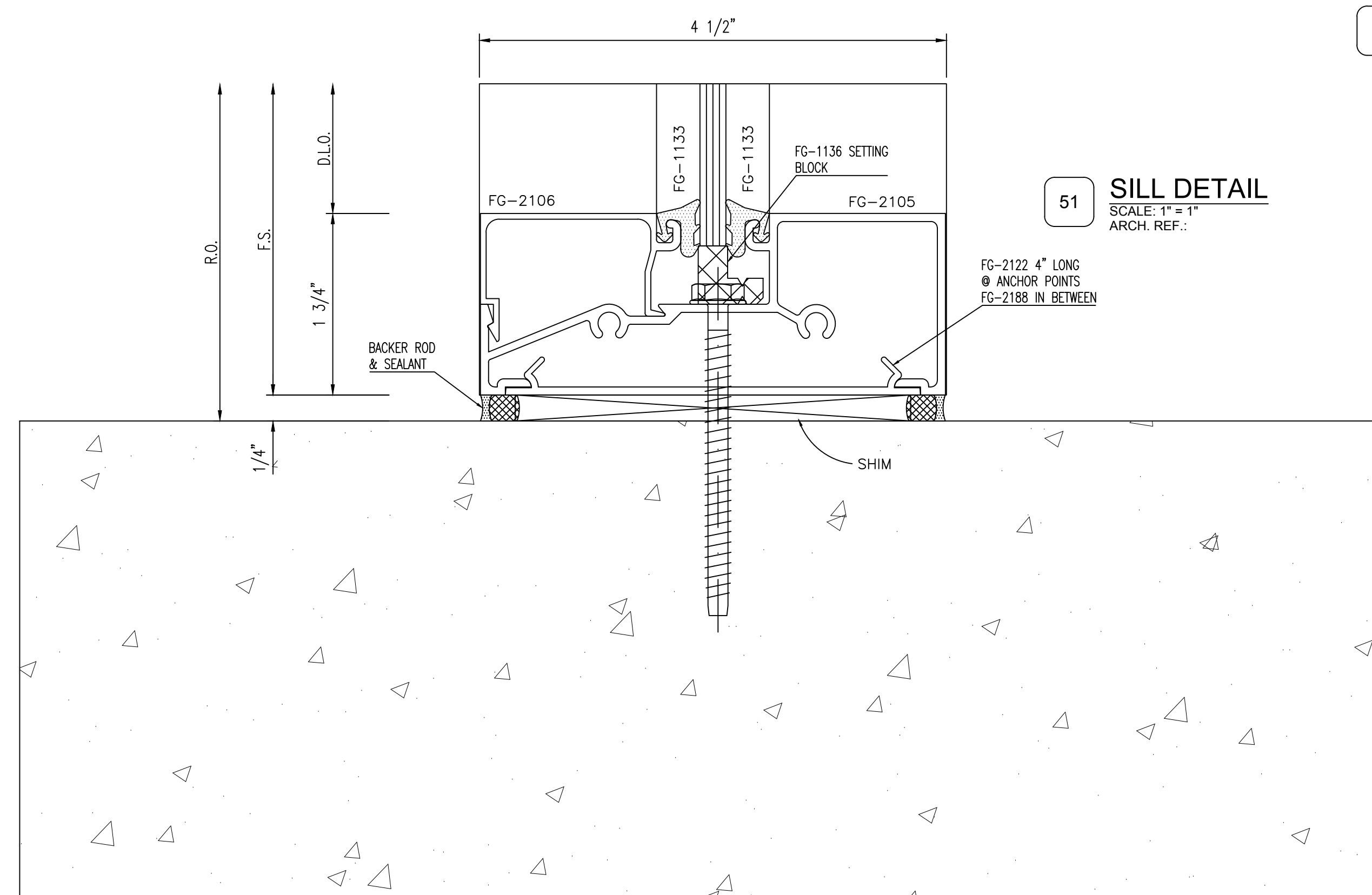
50 DR BOTTOM RAIL DETAIL
 SCALE: 1" = 1"
 ARCH. REF.: NONE



52 DOOR JAMB DETAIL
 SCALE: 1" = 1"
 ARCH. REF.:



53 DR HEADER DETAIL
 SCALE: 1" = 1"
 ARCH. REF.: NONE



51 SILL DETAIL
 SCALE: 1" = 1"
 ARCH. REF.:

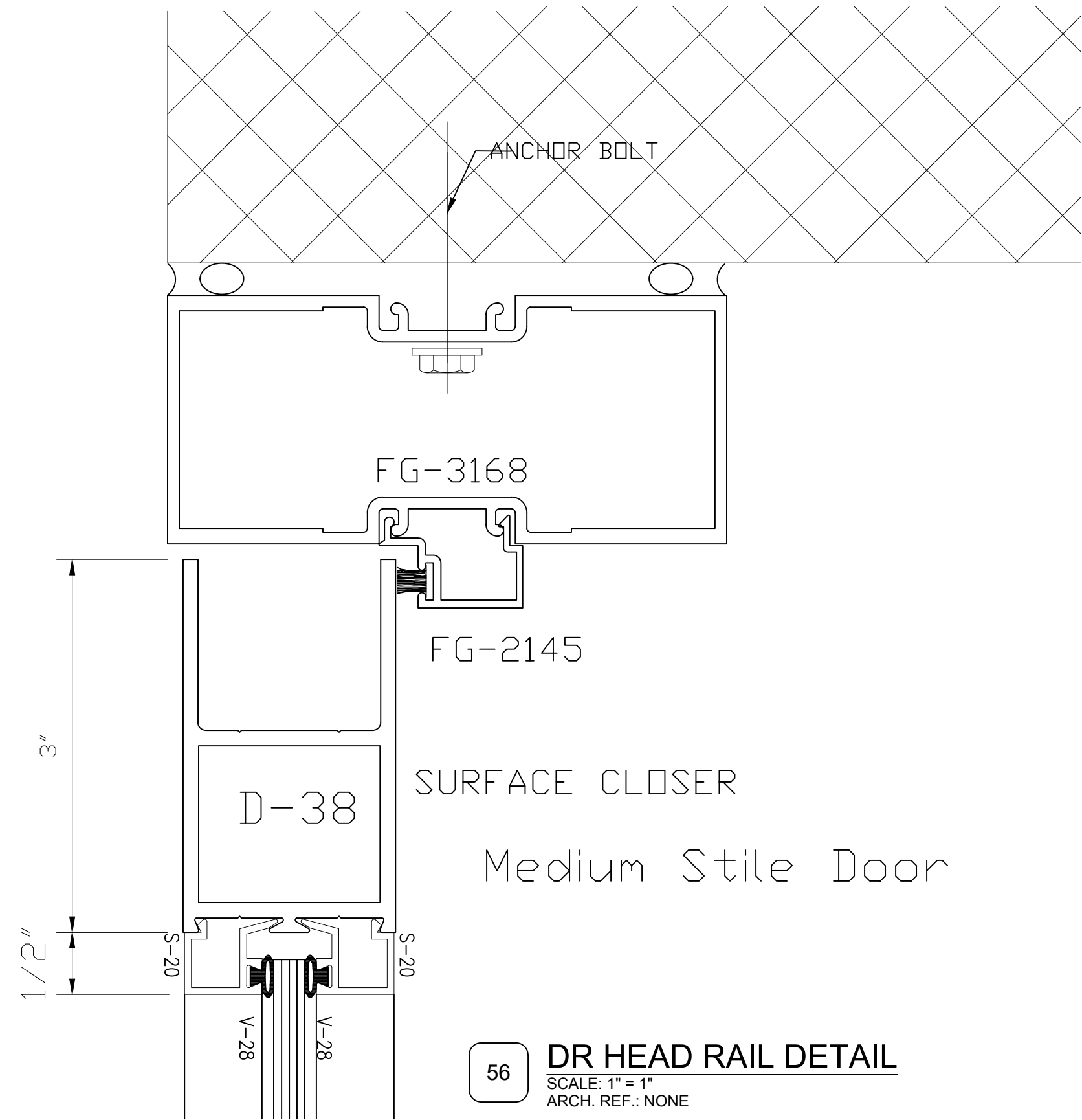
REV	BY	DATE	DESCRIPTION
2	FP	01/20/17	FIELD VERIFIED DETAILS AND CHANGED DRAWINGS
2	FP	01/05/17	CORRECT THE LETTERING TO ELEVATIONS AND FIX DETAILS
1	FP	12/23/16	CHANGE PROJECT FROM WET TO DRY GLAZE
1	FP	12/07/16	ADD FASTENER DETAILS

MANUAL COMP

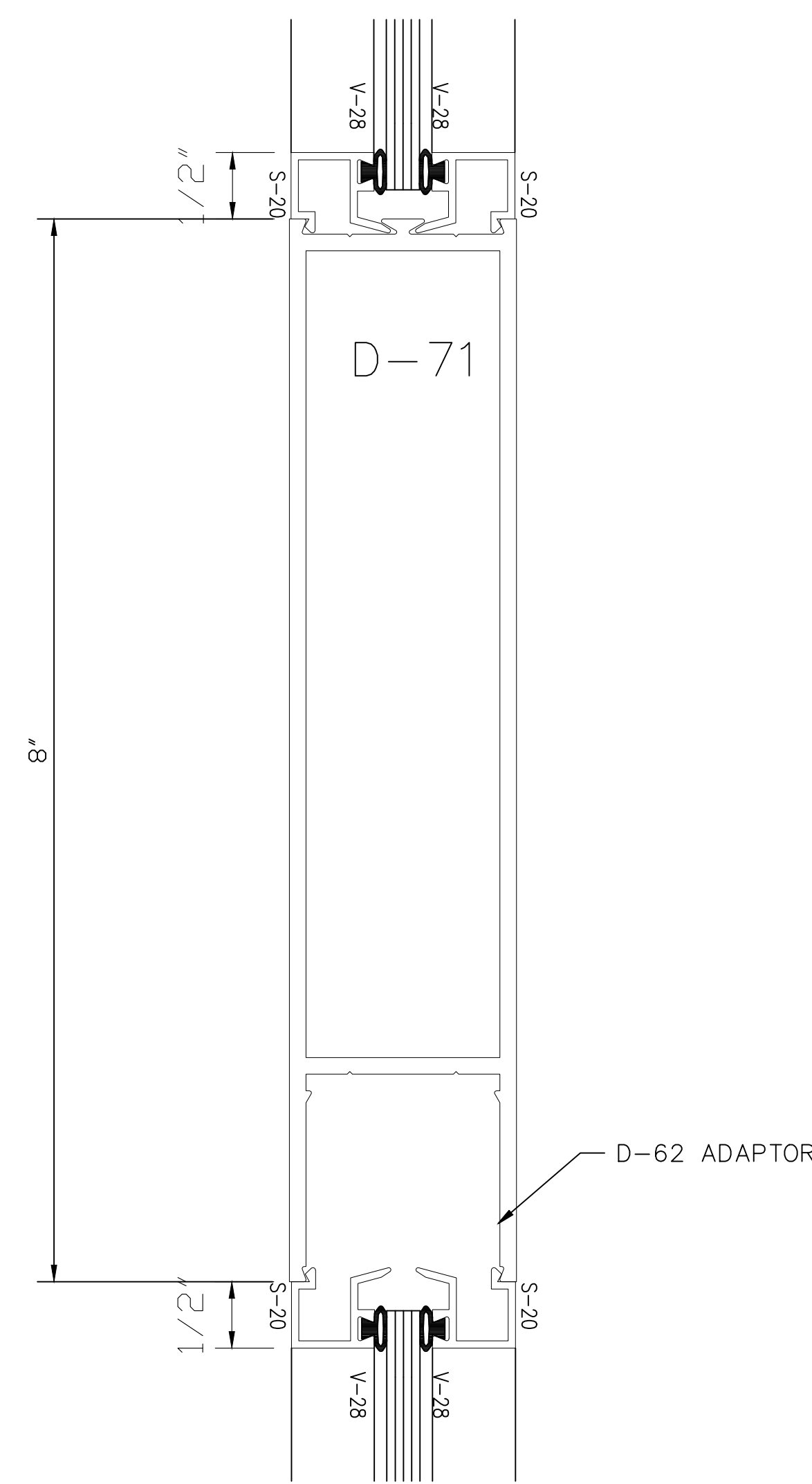
THURMAN FONDREN GLASS Co. INC
 6933 WEBER RD
 CORPUS CHRISTI, TX 78413
 361-854-2316

ROBERT WILSON ELEMENTRY
 3925 Fort Worth St
 Corpus Christi, TX

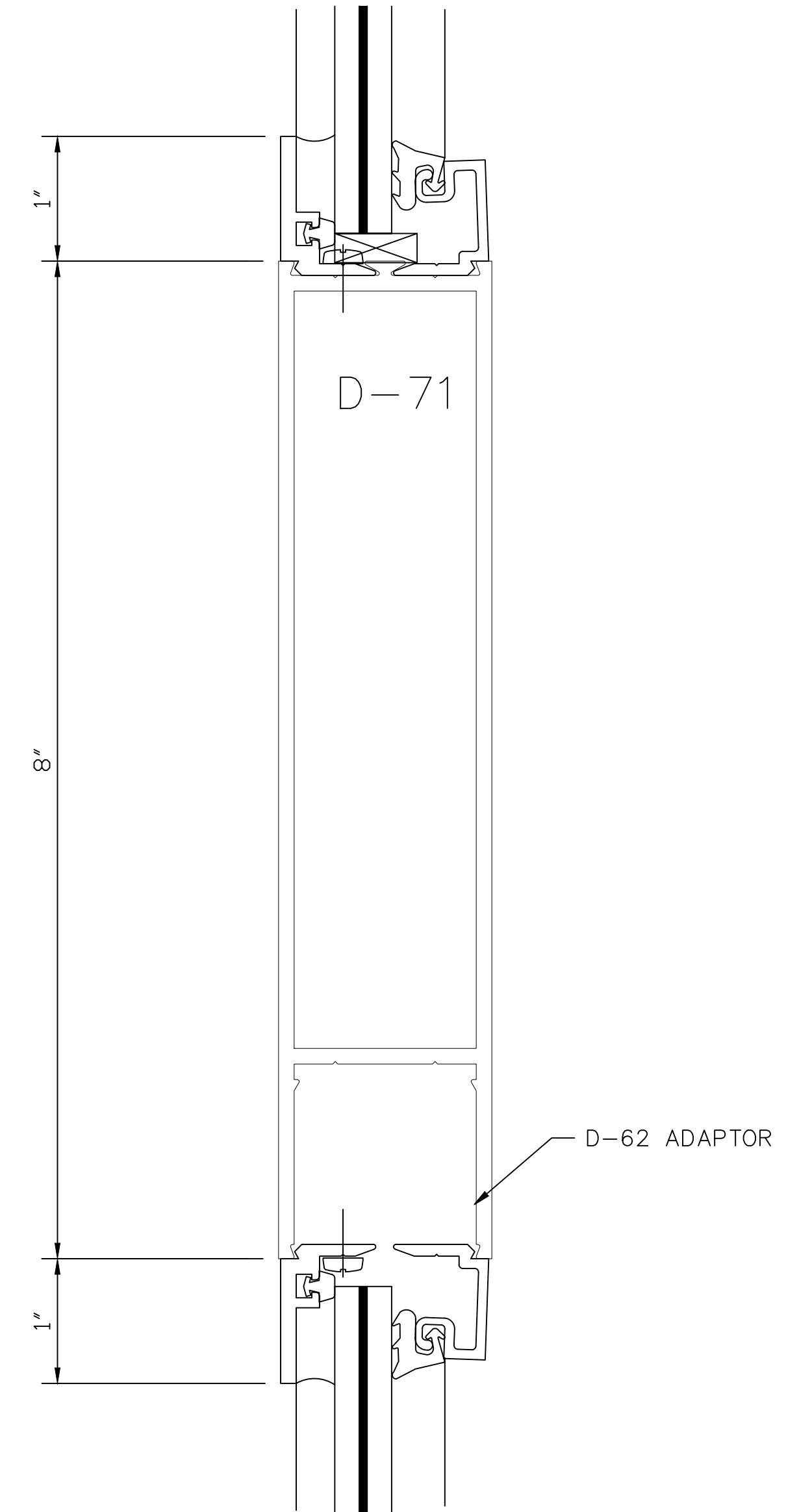
PROJECT	PROJECT NO.
	TF-002
DRAWN	DATE
WRD	7/24/15
SCALE	1/2" = 1'-0"
DRAWING NO.	
SHEET	D13



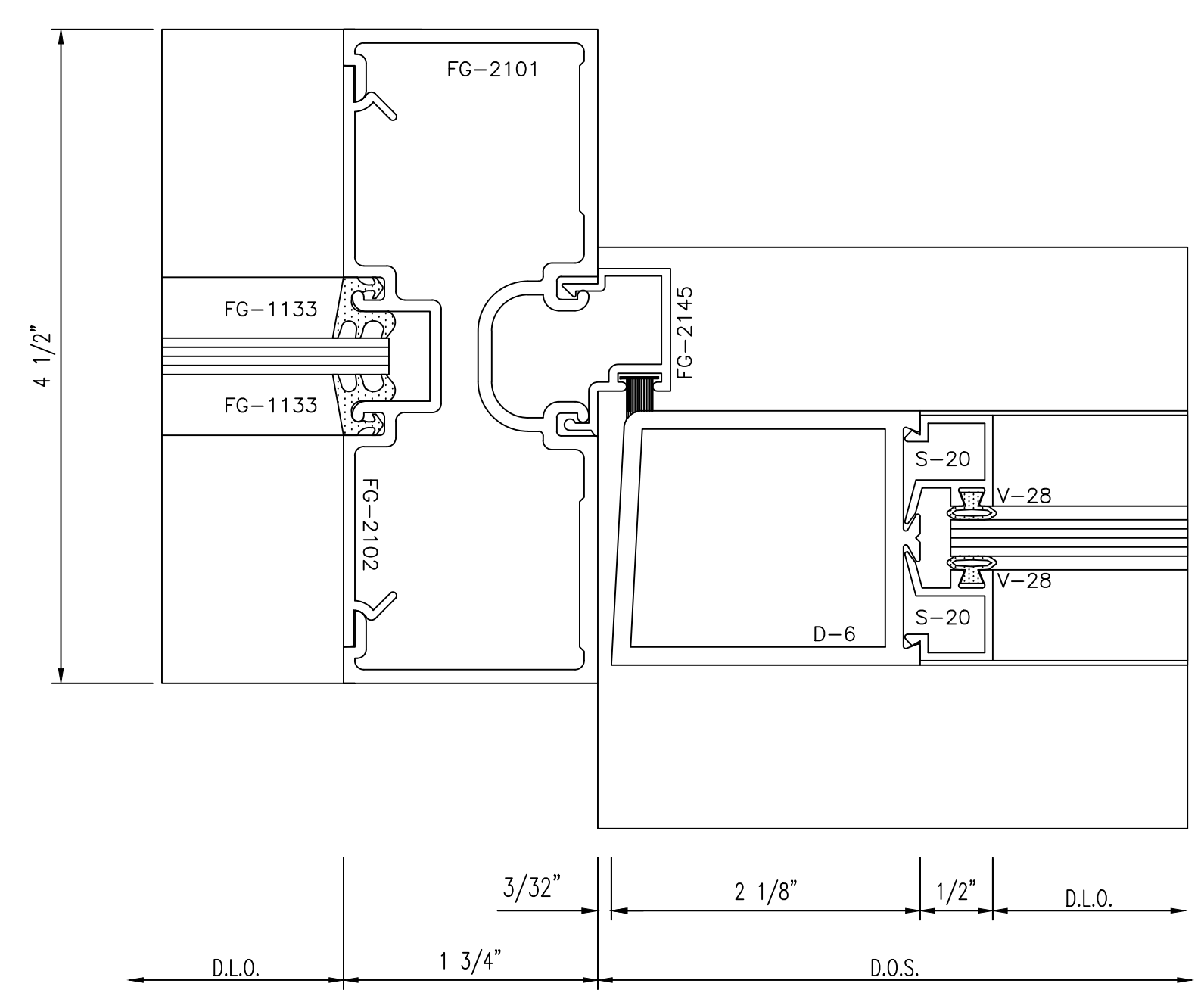
56 DR HEAD RAIL DETAIL
SCALE: 1" = 1"
ARCH. REF.: NONE



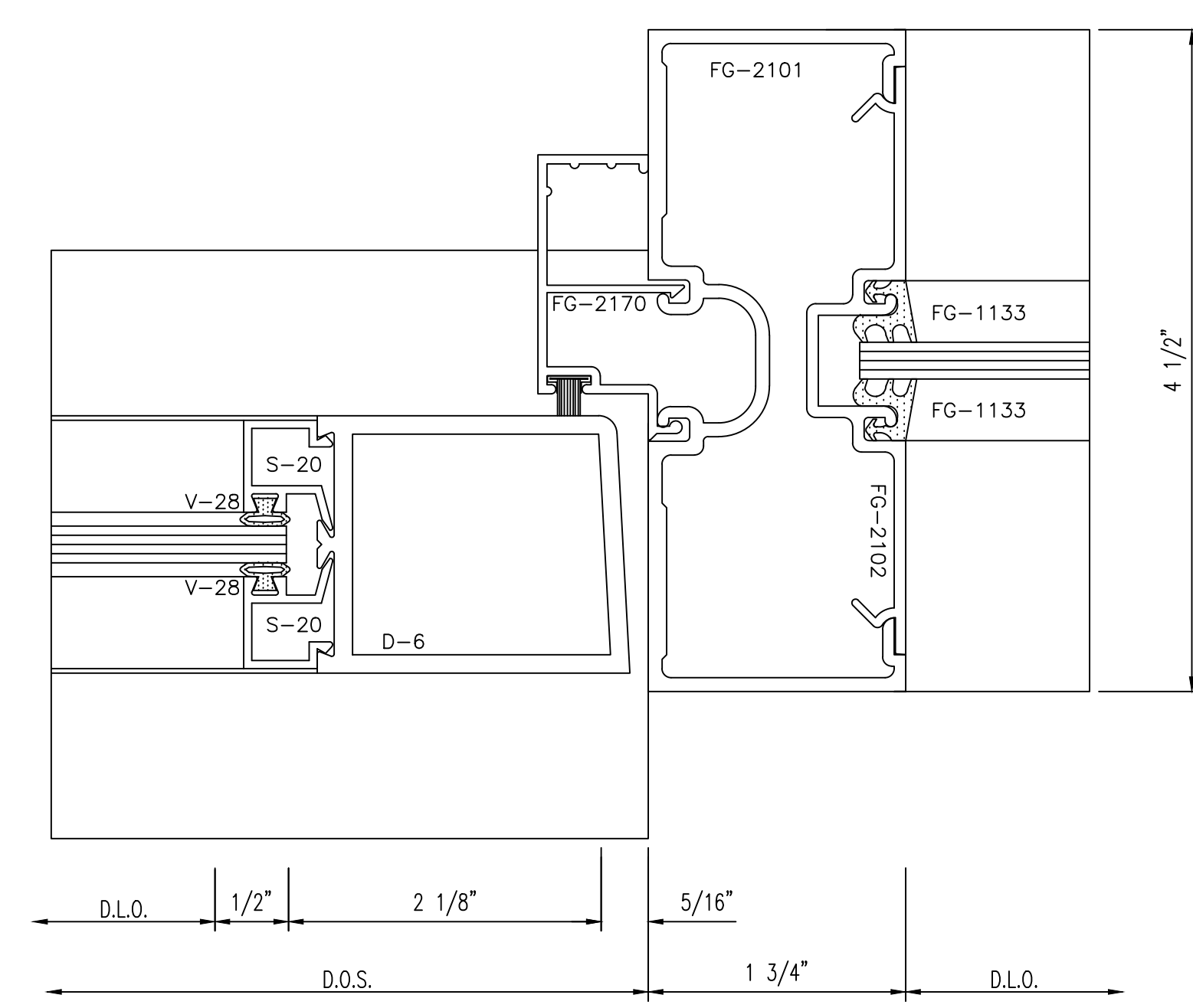
57 DR DOOR MID PANEL
SCALE: 1" = 1"
ARCH. REF.: NONE



58 DR DOOR MID PANEL
SCALE: 1" = 1"
ARCH. REF.: NONE



54 DR JAMB DETAIL
SCALE: 1" = 1"
ARCH. REF.: 2/A5.0E



55 DR JAMB DETAIL
SCALE: 1" = 1"
ARCH. REF.: 2/A5.0E

StormMax™ Hurricane Resistant Entrances
Door Mid Panel - HD6186

StormMax™ Hurricane Resistant Entrances
Door Mid Panel - HD6186

REV	BY	DATE	DESCRIPTION
2	FP	01/20/17	FIELD VERIFIED DETAILS AND CHANGED DRAWINGS
2	FP	01/05/17	CORRECT THE LETTERING TO ELEVATIONS AND FIX DETAILS
1	FP	12/23/16	CHANGE PROJECT FROM WET TO DRY GLAZE
1	FP	12/07/16	ADD FASTENER DETAILS

MANUAL COMP

THURMAN FONDREN GLASS Co. INC
6933 WEBER RD
CORPUS CHRISTI, TX 78413
361-854-2316

PROJECT
PROJECT NO.
TF-002

DRAWN
WRD

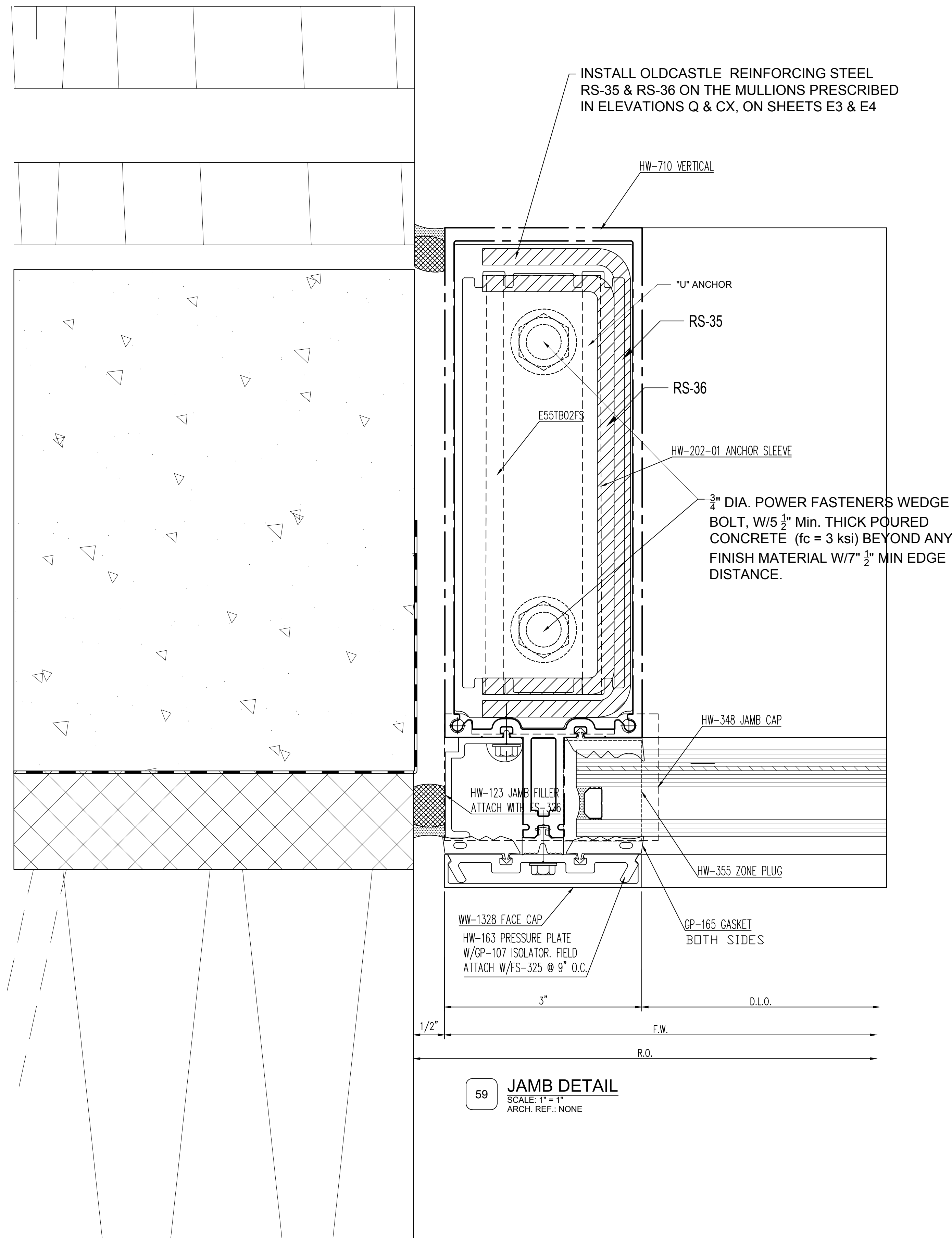
DATE
7/24/15

SCALE
1/2" = 1'-0"

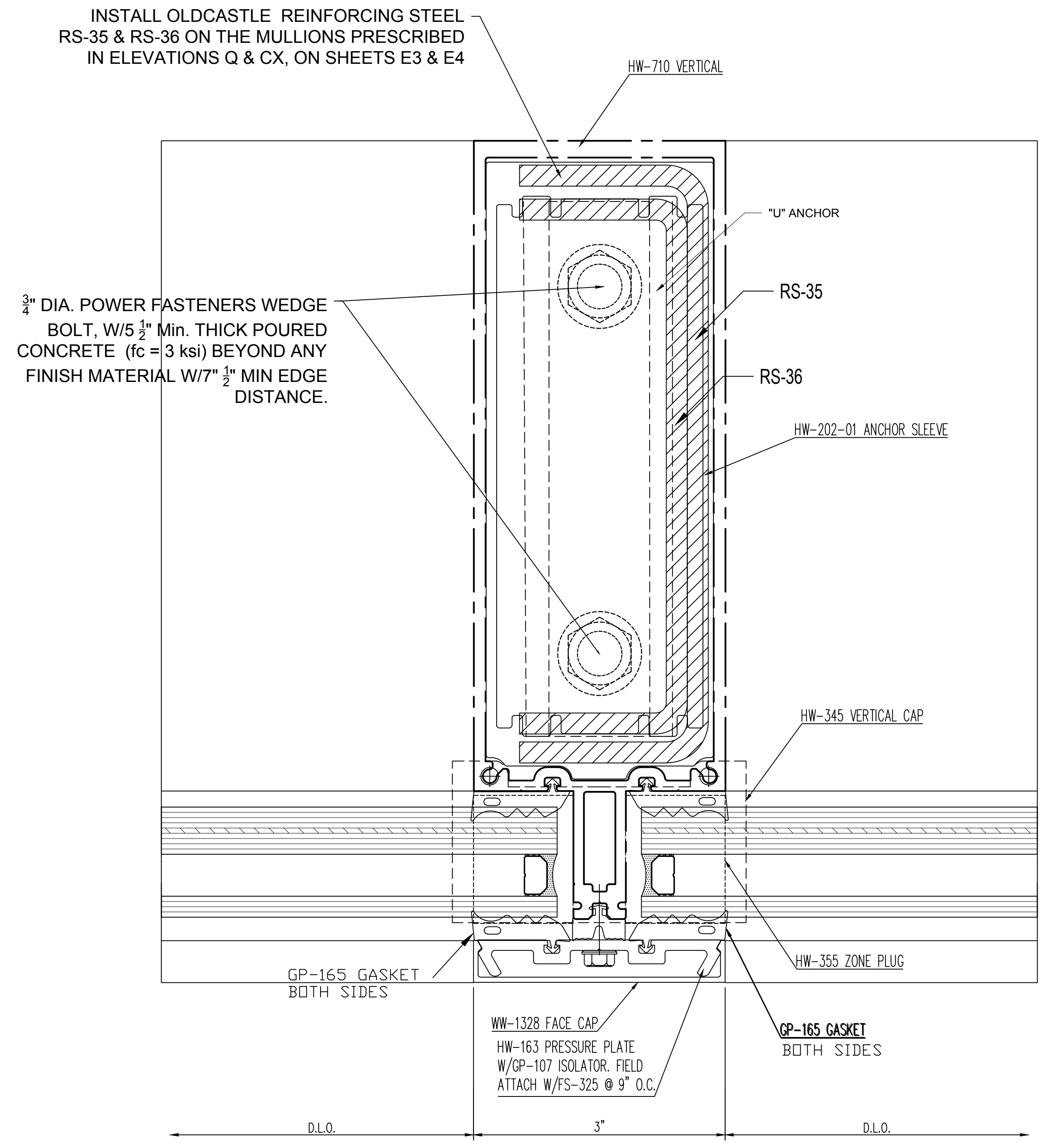
DRAWING NO.

SHEET
D14

ROBERT WILSON ELEMENTRY
3925 Fort Worth St
Corpus Christi, TX



59 JAMB DETAIL
SCALE: 1" = 1"
ARCH. REF.: NONE



60 VERTICAL DETAIL
SCALE: 1" = 1"
ARCH. REF.: NONE

REV	BY	DATE	DESCRIPTION
2	FP	01/20/17	FIELD VERIFIED DETAILS AND CHANGED DRAWINGS
2	FP	01/05/17	CORRECT THE LETTERING TO ELEVATIONS AND FIX DETAILS
1	FP	12/23/16	CHANGE PROJECT FROM WET TO DRY GLAZE
1	FP	12/07/16	ADD FASTENER DETAILS

MANUAL COMP

THURMAN FONDREN GLASS Co. INC
6933 WEBER RD
CORPUS CHRISTI, TX 78413
361-854-2316

PROJECT
ROBERT WILSON ELEMENTRY
3925 Fort Worth St
Corpus Christi, TX

PROJECT NO.
TF-002

DRAWN
WRD

DATE
7/24/15

SCALE
1/2" = 1'-0"

DRAWING NO.

SHEET
D15